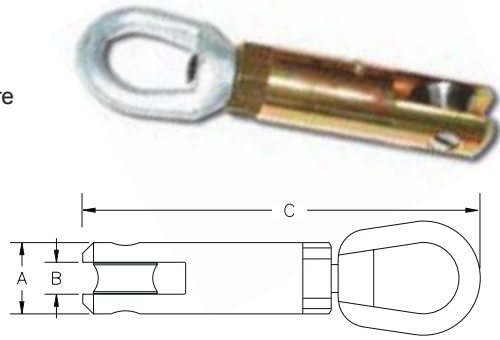


WIRE GRIP SWIVEL

00501 series

These swivels may be used in conjunction with either the 00670 or 00680 Wire Mesh Grips. They will allow the utility being installed to “unwind” as it is being pulled in, but like the Rotary Heads, these swivels will not rotate under load.

Part No.	Min. Breaking Strength	A	B	C	Weight
00501-010	10,000 lb.	1-1/4"	9/16"	7"	1.5 lb.
00501-025	25,000 lb.	1-5/8"	9/16"	8-5/8"	3.3 lb.



DUB-Lite®

00503 series

Type 2 - Clevis/Clevis

These Pullback Swivels are designed specifically for small bore Directional Drilling applications.

The swivels feature a multiple sealing system which is progressive in design and application. This swivel includes a side mounted grease nipple for easy access without having to remove the clevis pin. Greasing should be done after each use.

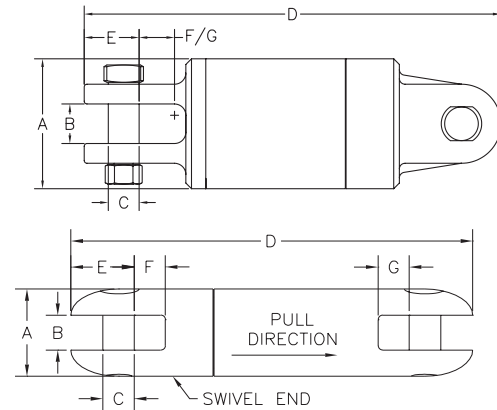
The DUB-Lite® swivels utilize Angular Contact Bearings for both Pullback and Pushback functions. All mechanical components are manufactured from high strength alloy steel and are designed to withstand a straight tensile load of at least 3 times the Safe Working Load.

The Clevis Pins are hardened Steel and are available as replacement kits. The simplicity of this swivel allows field re-building and a re-build kit comprised of bearings and seals is available. These Clevis Pins must not be replaced with simple Hexagon bolts. The DCD Clevis Pin is specifically designed, machined and heat treated to provide the required strength and stability of the clevis.

This style of swivel is the most common type and is the best for distributing side loads applied on the swivel due to its ability to pivot at either end. On the other hand, it does not allow the operator to push back without proper care and attention or the swivel may fold back on itself. Before rotation is re-commenced, the line must be pulled straight or damage may occur to the swivel as well as potential harm to operators close by.

DCD recommends that some type of restrictor is used to prevent the swivel from pivoting at the front or reamer end. The clevis is deeper at the leading end to allow the fool-proof design of a lug that would prevent more than minimal movement of the swivel away from the axis of rotation and also ensures the swivel is pulled in the right direction.

It is our recommendation to always select a swivel larger than the machine capacity.



DUB-Lite® Part No.	*Safe Working Load	Ultimate Load	A	B	C	D	E	F	G	Weight	Clevis Pin Kits	Re-Build Kits
00503-204	8,500 lb.	25,500 lb.	2"	3/4"	11/16"	8-3/4"	1-3/8"	5/8"	3/4"	5.5 lb.	00035-HEX	00503-K04
00503-205	10,000 lb.	30,000 lb.	2-1/4"	7/8"	3/4"	9-5/8"	1-1/2"	3/4"	7/8"	7.5 lb.	00037-HEX	00503-K05
00503-208	15,000 lb.	45,000 lb.	2-1/2"	1"	7/8"	11-1/4"	1-3/4"	7/8"	1"	11.0 lb.	00040-HEX	00503-K08
00503-210	20,000 lb.	60,000 lb.	2-1/2"	1"	7/8"	11-7/8"	1-3/4"	7/8"	1"	12.0 lb.	00040-HEX	00503-K10
00503-215	30,000 lb.	90,000 lb.	3"	1-5/16"	1-1/8"	14"	2-1/4"	1-1/8"	1-1/4"	19.0 lb.	00045-HEX	00503-K15
00503-220	40,000 lb.	120,000 lb.	4-3/4"	1-3/4"	1-1/8"	16-1/2"	2-1/16"	1-7/16"	—	49.0 lb.	00503-P20	—
00503-230	60,000 lb.	180,000 lb.	5-3/4"	1-3/4"	1-3/8"	18-1/4"	2-1/2"	1-7/16"	—	78.0 lb.	00503-P30	—
00503-245	90,000 lb.	270,000 lb.	6"	1-3/4"	1-3/8"	19-3/8"	2-1/2"	1-7/16"	—	89.0 lb.	00503-P30	—

*Safety factor is 3:1

Web Site: www.dcdesign.com
E-mail: sales@dcdesign.com

Toll Free: 1-888-SWIVELS (794-8357)
Tel: 604-232-4445
Fax: 604-232-4446

SWIVELS & CONNECTORS

DCD