

PULLING GRIPS

00682 series TRIPLE WEAVE – ROTARY HEAD – SHOULDERS

These grips offer a Stainless Steel Rotary Head with Shoulders and Triple Weave galvanized wire construction. The shoulders help to protect the leading edge of the cable or ducting and this type should be used for heavy duty applications.

Note: The Rotating Head does not replace the use of a Line Swivel, series 00505. There are no bearings to allow rotation under load and severe damage may occur to the utility being installed if this product is used without the correct swivel.

Part No.	Colour Code	Size Range	Mesh Length	A	B	C	D	Approx. Breaking Strength	Weight
00682-006	DARK GREEN	0.25" to 0.49"	28"	7/8"	5/16"	1/2"	2-3/4"	6,500 lb.	1.5 lb.
00682-012	BROWN	0.50" to 0.74"	33"	1"	1/2"	9/16"	3-7/8"	10,400 lb.	1.9 lb.
00682-019	LIGHT BLUE	0.75" to 0.99"	41"	1"	1/2"	9/16"	3-7/8"	16,000 lb.	3.2 lb.
00682-025	GOLD	1.00" to 1.24"	51"	1-3/8"	1/2"	11/16"	5-3/8"	25,400 lb.	5.1 lb.
00682-032	BLACK	1.25" to 1.49"	60"	1-5/8"	9/16"	7/8"	6-1/8"	31,700 lb.	6.0 lb.
00682-038	RED	1.50" to 1.99"	70"	1-7/8"	21/32"	1"	7-3/8"	32,000 lb.	6.5 lb.
00682-048	YELLOW	2.00" to 2.49"	75"	1-7/8"	21/32"	1"	7-3/8"	44,600 lb.	6.7 lb.



00690 series DOUBLE WEAVE – ROTARY HEAD – SHOULDERS

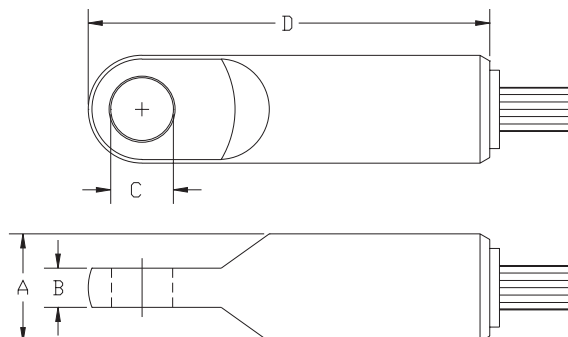
These grips offer a Flexible Eye with Shoulders and Double Weave galvanized wire construction. The shoulders help to protect the leading edge of the cable or ducting and this type should be used for heavy duty applications.

Note: The Rotating Head does not replace the use of a Line Swivel, series 00505. There are no bearings to allow rotation under load and severe damage may occur to the utility being installed if this product is used without the correct swivel.

Part No.	Size Range	Mesh Length	A	B	C	D	Approx. Breaking Strength	Weight
00690-038	0.50" to 0.74"	16"	7/8"	5/16"	1/2"	2-3/4"	5,800 lb.	1.5 lb.
00690-050	0.75" to 1.12"	24"	7/8"	5/16"	1/2"	2-3/4"	6,700 lb.	1.6 lb.
00690-100	1.13" to 1.49"	33"	1-3/8"	1/2"	11/16"	5-3/8"	13,000 lb.	1.9 lb.
00690-125	1.50" to 1.99"	36"	1-3/8"	1/2"	11/16"	5-3/8"	16,500 lb.	2.3 lb.
00690-200	2.00" to 2.49"	36"	1-5/8"	9/16"	7/8"	6-1/8"	21,000 lb.	3.8 lb.
00690-250	2.50" to 2.99"	38"	1-7/8"	21/32"	1"	7-3/8"	33,000 lb.	5.0 lb.
00690-300	3.00" to 3.74"	39"	1-7/8"	21/32"	1"	7-3/8"	41,000 lb.	5.2 lb.
00690-350	3.75" to 4.24"	42"	1-7/8"	21/32"	1"	7-3/8"	48,000 lb.	9.2 lb.
00690-400	4.25" to 4.99"	58"	1-7/8"	21/32"	1"	7-3/8"	48,000 lb.	9.9 lb.



Rotary Head Dimensions



Always read Breaking Strength, safety and technical data information.

Web Site: www.dcdesign.com
E-mail: sales@dcdesign.com

Toll Free: 1-888-SWIVELS (794-8357)
Tel: 604-232-4445
Fax: 604-232-4446

PULLING & SUPPORT GRIPS

DCD