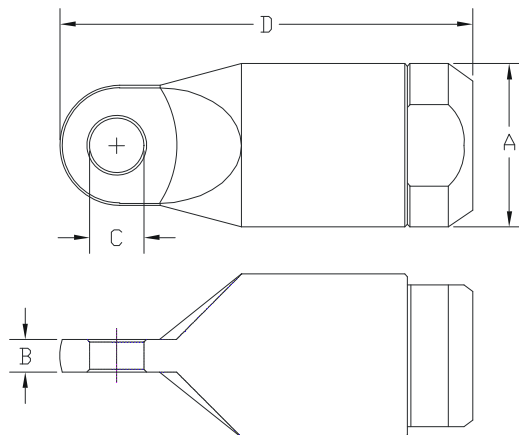


24000 POWER-GRIP™ (lug)

The Power-Grip™ Pulling Eye is re-usable and has a lug style head that will attach directly into a Line Swivel or other type of connector. All Power-Grips™ are manufactured from Stainless Steel with the exception of those that have an asterisk these are manufactured from alloy steel. Only 4 body sizes are used to cover the range from 1/0 to 2000 MCM cable.

Grip is obtained by cutting away the cable jacket, feeding the core through the Cone Nut and driving the tapered insert into the cable core. The higher the load, the further the insert is drawn into the tapered bore and the firmer the grip becomes. The Cone Nuts feature a shortened thread making assembly and removal much quicker. Thorough testing proves that the grip obtained by this method is better than the strength of the cable itself. It is recommended that these Pulling Eyes be used only on cables with more than 7 strand conductors. For cables with less than 7 strands use the Mini Grip, Series 24500.

Note that these Pulling Eyes should always be used with a Line Swivel, Series 00505.



Part No.	Cable Size	Max. Cable Conductor Core Dia.	A	B	C	D	Weight	Body	Threaded Cone Nut	Tapered Insert	Fits Line Swivels
24000-001	1/0 AWG	0.39" 9.9 mm	1-1/4" 32 mm	11/32" 8.7 mm	1/2" 13 mm	3-7/8" 98 mm	0.70 lb 0.31 kg	24007-001	24006-001	24005-001	
24000-002	2/0 AWG	0.44" 11.1 mm	1-1/4" 32 mm	11/32" 8.7 mm	1/2" 13 mm	3-7/8" 98 mm	0.68 lb 0.30 kg	24007-001	24006-002	24005-001	
24000-003	3/0 AWG	0.50" 12.7 mm	1-1/4" 32 mm	11/32" 8.7 mm	1/2" 13 mm	3-7/8" 98 mm	0.65 lb 0.29 kg	24007-001	24006-003	24005-001	00505-010 to 00505-027
24000-004	4/0 AWG	0.54" 13.7 mm	1-1/4" 32 mm	11/32" 8.7 mm	1/2" 13 mm	3-7/8" 98 mm	0.62 lb 0.28 kg	24007-001	24006-004	24005-001	
24000-025	250 MCM	0.61" 15.5 mm	1-1/4" 32 mm	11/32" 8.7 mm	1/2" 13 mm	3-7/8" 98 mm	0.58 lb 0.26 kg	24007-001	24006-025	24005-001	
24000-035	350 MCM	0.71" 18.0 mm	1-7/8" 48 mm	3/8" 9.5mm	5/8" 15.9 mm	4-3/4" 120 mm	1.84 lb 0.83 kg	24007-035	24006-035	24005-035	00505-015 to 00505-030
24000-050	500 MCM	0.81" 20.6 mm	1-7/8" 48 mm	3/8" 9.5mm	5/8" 15.9 mm	4-3/4" 120 mm	1.75 lb 0.79 kg	24007-035	24006-050	24005-035	
24000-070	700 MCM	0.97" 24.6 mm	2-1/8" 54 mm	1/2" 13 mm	13/16" 20.5 mm	5-5/8" 142 mm	2.55 lb 1.15 kg	24007-070	24006-070	24005-070	
24000-075C	750 MCM Compact	0.94" 23.8 mm	2-1/8" 54 mm	1/2" 13 mm	13/16" 20.5 mm	5-5/8" 142 mm	2.53 lb 1.14 kg	24007-070	24006-075C	24005-070	00505-020 to 00505-035
24000-075	750 MCM	1.00" 25.4 mm	2-1/8" 54 mm	1/2" 13 mm	13/16" 20.5 mm	5-5/8" 142 mm	2.51 lb 1.13 kg	24007-070	24006-075	24005-070	
24000-100	1000 MCM	1.15" 29.2 mm	2-1/8" 54 mm	1/2" 13 mm	13/16" 20.5 mm	5-5/8" 142 mm	2.30 lb 1.04 kg	24007-070	24006-100	24005-070	
*24000-125	1250 MCM	1.29" 32.8 mm	2-3/4" 70 mm	3/4" 19 mm	1-1/32" 26 mm	7-15/16" 202 mm	6.37 lb 2.88 kg	24007-125	24006-125	24005-125	
*24000-150	1500 MCM	1.41" 35.8 mm	2-3/4" 70 mm	3/4" 19 mm	1-1/32" 26 mm	7-15/16" 202 mm	6.06 lb 2.74 kg	24007-125	24006-150	24005-125	00505-035 to 00505-041
*24000-175	1750 MCM	1.53" 38.9 mm	2-3/4" 70 mm	3/4" 19 mm	1-1/32" 26 mm	7-15/16" 202 mm	5.84 lb 2.64 kg	24007-125	24006-175	24005-125	
*24000-200	2000 MCM	1.63" 41.4 mm	2-3/4" 70 mm	3/4" 19 mm	1-1/32" 26 mm	7-15/16" 202 mm	5.53 lb 2.50 kg	24007-125	24006-200	24005-125	