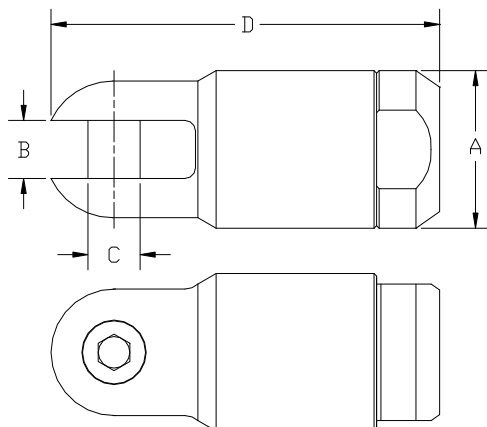


24100 POWER-GRIP™ (clevis)

The Power-Grip™ Pulling Eye is re-usable and has a clevis style head that will attach directly over the looped ends of the Bridle Slings or other pulling attachments. All materials are Stainless Steel. Only 4 body sizes are used to cover the range from 1/0 to 2000 MCM cable.

Grip is obtained by cutting away the cable jacket, feeding the core through the Cone Nut and driving the tapered insert into the cable core. The higher the load, the further the insert is drawn into the tapered bore and the firmer the grip becomes. The Cone Nuts feature a shortened thread making assembly and removal much quicker. Thorough testing proves that the grip obtained by this method is better than the strength of the cable itself. It is recommended that these Pulling Eyes be used only on cables with more than 7 strand conductors. For cables with less than 7 strands use the Mini Grip, Series 24500.

Note that these Pulling Eyes should always be used with a Line Swivel, Series 00505.



Part No.	Cable Size	Max. Cable Conductor Core Dia.	A	B	C	D	Weight	Body	Threaded Cone Nut	Tapered Insert	Fits Wire Rope Bridle Sling
24100-001	1/0 AWG	0.39" 9.9 mm	1-1/4" 32 mm	13/32" 10.3 mm	3/8" 9.5 mm	3-5/8" 92 mm	0.68 lb 0.30 kg	24008-001	24006-001	24005-001	
24100-002	2/0 AWG	0.44" 11.1 mm	1-1/4" 32 mm	13/32" 10.3 mm	3/8" 9.5 mm	3-5/8" 92 mm	0.67 lb 0.30 kg	24008-001	24006-002	24005-001	
24100-003	3/0 AWG	0.50" 12.7 mm	1-1/4" 32 mm	13/32" 10.3 mm	3/8" 9.5 mm	3-5/8" 92 mm	0.64 lb 0.29 kg	24008-001	24006-003	24005-001	1/4"
24100-004	4/0 AWG	0.54" 13.7 mm	1-1/4" 32 mm	13/32" 10.3 mm	3/8" 9.5 mm	3-5/8" 92 mm	0.61 lb 0.27 kg	24008-001	24006-004	24005-001	
24100-025	250 MCM	0.61" 15.5 mm	1-1/4" 32 mm	13/32" 10.3 mm	3/8" 9.5 mm	3-5/8" 92 mm	0.60 lb 0.27 kg	24008-001	24006-025	24005-001	
24100-035	350 MCM	0.71" 18.0 mm	1-7/8" 48 mm	11/16" 17.4 mm	5/8" 15.9 mm	4-5/8" 117 mm	1.9 lb 0.86 kg	24008-035	24006-035	24005-035	1/4" & 3/8"
24100-050	500 MCM	0.81" 20.6 mm	1-7/8" 48 mm	11/16" 17.4 mm	5/8" 15.9 mm	4-5/8" 117 mm	1.8 lb 0.81 kg	24008-035	24006-050	24005-035	
24100-070	700 MCM	0.97" 24.6 mm	2-1/8" 54 mm	25/32" 19.8 mm	11/16" 17.4 mm	5-1/4" 133 mm	2.9 lb 1.3 kg	24008-070	24006-070	24005-070	
24100-075C	750 MCM Compact	0.94" 23.8 mm	2-1/8" 54 mm	25/32" 19.8 mm	11/16" 17.4 mm	5-1/4" 133 mm	2.8 lb 1.2 kg	24008-070	24006-075C	24005-070	3/8" & 1/2"
24100-075	750 MCM	1.00" 25.4 mm	2-1/8" 54 mm	25/32" 19.8 mm	11/16" 17.4 mm	5-1/4" 133 mm	2.7 lb 1.2 kg	24008-070	24006-075	24005-070	
24100-100	1000 MCM	1.15" 29.2 mm	2-1/8" 54 mm	25/32" 19.8 mm	11/16" 17.4 mm	5-1/4" 133 mm	2.5 lb 1.1 kg	24008-070	24006-100	24005-070	
24100-125	1250 MCM	1.29" 32.8 mm	2-3/4" 70 mm	1" 25.4 mm	7/8" 22.2 mm	7-1/4" 184 mm	6.7 lb 3.0 kg	24008-125	24006-125	24005-125	
24100-150	1500 MCM	1.41" 35.8 mm	2-3/4" 70 mm	1" 25.4 mm	7/8" 22.2 mm	7-1/4" 184 mm	6.4 lb 2.9 kg	24008-125	24006-150	24005-125	3/8" & 1/2"
24100-175	1750 MCM	1.53" 38.9 mm	2-3/4" 70 mm	1" 25.4 mm	7/8" 22.2 mm	7-1/4" 184 mm	6.2 lb 2.8 kg	24008-125	24006-175	24005-125	
24100-200	2000 MCM	1.63" 41.4 mm	2-3/4" 70 mm	1" 25.4 mm	7/8" 22.2 mm	7-1/4" 184 mm	5.9 lb 2.6 kg	24008-125	24006-200	24005-125	