

MULTIPLEX PUSHING EYE 24200 series

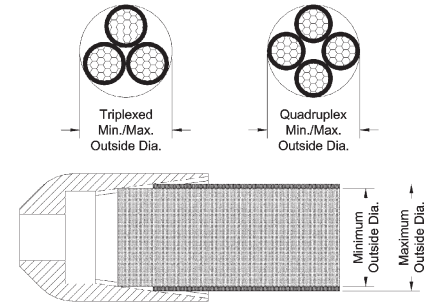
This product is designed to be threaded onto the lead end of a group of either Triplex or Quadplex cables so that they can be pushed through short lengths of ducting.

The basic Pushing Eye comes with only the body and a shoulder bolt. There are several different attachments which can be threaded onto the bolt and these must be purchased separately.

These include some of the accessories used with our Duct Rodders such as the Pulling Eye, the Clevis End and the Roller Guide as well as a standard Eye Nut. Any of these can act as a leader for the Pushing Eye.

Each size of Pushing Eye can be used to attach to different groups of cable. Because the cables can be in different quantities and diameters, the range for each Pushing Eye is determined by the diameter around the group of cables. This information is available on the data supplied by the cable manufacturer or it can be measured using the diagram below as a guide.

The 24200-KT1 is a kit comprising one of each size of Pushing Eye plus one each of the leaders shown in the photograph.



Part No.	Outside Cable Min.	Diameter Max.	Weight	Part No.	Leader Attachments
24200-KT1	1.00"	1.59"	2.2 lb.	57150-004	Roller Guide
24200-010	1.00"	1.22"	0.3 lb.	57160-004	Clevis End
24200-020	1.22"	1.41"	0.4 lb.	57120-004	Pulling Eye
24200-030	1.41"	1.59"	0.5 lb.	90024-037	Eye Nut

MULTIPLEX PULLING EYE 24300 series

This Stainless Steel product is designed to pull either Triplex or Quadplex cables.

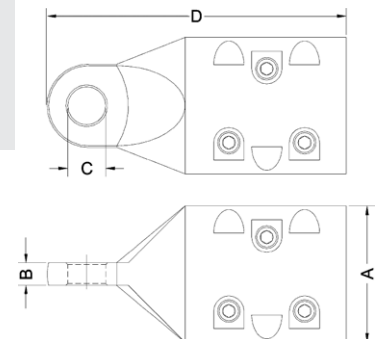
The 4 holes are sized for the cable conductors and each hole has three set-screws to clamp down on the cable. Each product is also supplied with 3 spare set screws and a hex key.

Care needs to be taken pulling around bends or sheaves because there will be extra heavy load on the cables on the outside of the bend and this may cause them to pull loose from their clamped position in the Pulling Eye.

Use mainly for short, straight pulls.



Part No.	Max. Cable Size	Max. Core Size	A	B	C	D	Weight	Use with Line Swivel
24300-001	1/0 AWG	0.437"	1-3/4"	3/8"	5/8"	4-15/16"	2 lb.	00505-015 to 00505-030
24300-004	4/0 AWG	0.593"	2-1/4"	3/8"	5/8"	4-15/16"	3 lb.	
24300-350	350 MCM	0.750"	2-11/16"	1/2"	13/16"	6"	4 lb.	00505-020 to 00505-035
24300-500	500 MCM	0.875"	2-7/8"	1/2"	13/16"	6-1/8"	5 lb.	



Web Site: www.dcdesign.com
E-mail: sales@dcdesign.com

Toll Free: 1-888-SWIVELS (794-8357)
Tel: 604-232-4445
Fax: 604-232-4446

CABLE PULLING EYES

DCD