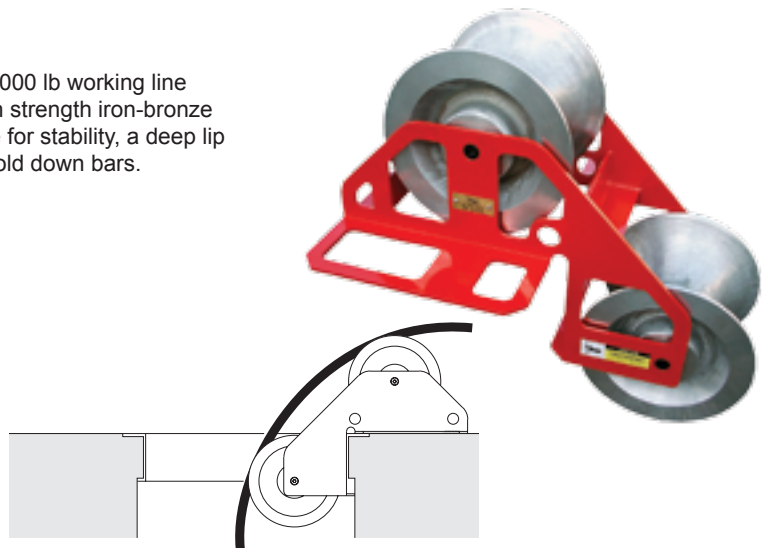


CORNER GUIDES

DCD Corner Guides are designed to withstand a 10,000 lb working line load with a 3:1 safety factor. The sheaves run in high strength iron-bronze bushings. The Corner Guides also have a wide base for stability, a deep lip for hooking into the manhole and two locations for hold down bars.

Guide* Part No.	Sheave* only	Sheave Size W x Dia.	Weight
32300-400	32900-411	4" x 11"	61 lb.
32300-500	32900-511	5" x 11"	67 lb.
32300-600	32900-611	6" x 11"	72 lb.
32300-800	32900-811	8" x 11"	92 lb.

*Add F to part # for Flat Bottom Sheave.



FLEXIBLE CABLE GUIDES

The DCD Flexible Cable Guide comes in 5 ft or 10 ft lengths. Custom lengths are also available. At each end there is a Polyurethane Coupling that can be used for attaching two lengths together and for attaching the Duct Adapter and the Cable Entry Cone.

There are 3 different diameters or sizes of Flexible Guides. The 4" size has adapters suitable for 2", 3" and 4" duct sizes, the 5" size only fits 5" duct and the larger 6" unit has adapters suitable for 4", 5" and 6" ducting.

Each Duct Adapter is fitted with a spray nozzle suitable for the DCD TUBE-LUBE™ 326. There is one half of a quick-disconnect coupling attached to the nozzle that will direct the lubricant onto the cable as it is fed into the ducting.

Like the end fittings, the Duct Adapters are made from polyurethane and are also sold separately.



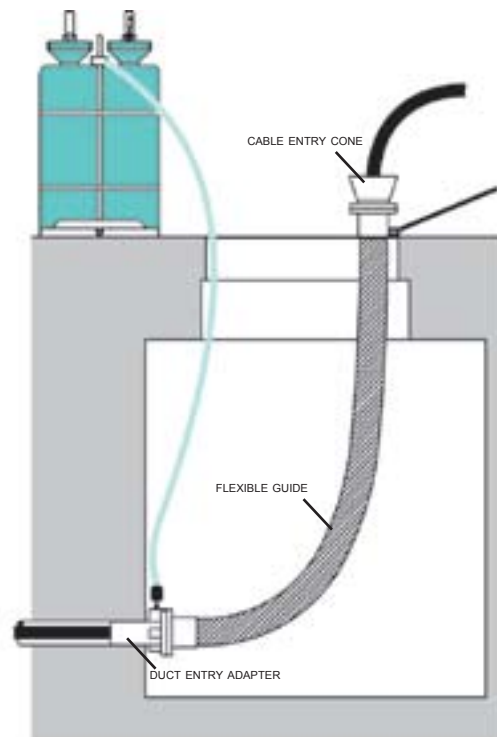
Flexible Guide Chart

Flexible Guide Part No.	Diameter	Length	Cable Entry Cone Part No.
32600-405	4"	5'	32610-400
32600-410	4"	10'	32610-400
32600-505	5"	5'	32610-500
32600-510	5"	10'	32610-500
32600-605	6"	5'	32610-600
32600-610	6"	10'	32610-600

Note: Custom lengths available, contact Customer Service.

Duct Entry Adapter

Duct Entry Part No.	Use With Flexible Guide Diameter	Nominal Duct Size
32620-420	4"	2"
32620-425	4"	2-1/2"
32620-430	4"	3"
32620-440	4"	4"
32620-550	5"	5"
32620-635	6"	3-1/2"
32620-640	6"	4"
32620-650	6"	5"
32620-660	6"	6"



Web Site: www.dcdesign.com
E-mail: sales@dcdesign.com

Toll Free: 1-888-SWIVELS (794-8357)
Tel: 604-232-4445
Fax: 604-232-4446

MANHOLE TOOLS

DCD