

## DUCT ENTRY GUIDE 32500 series

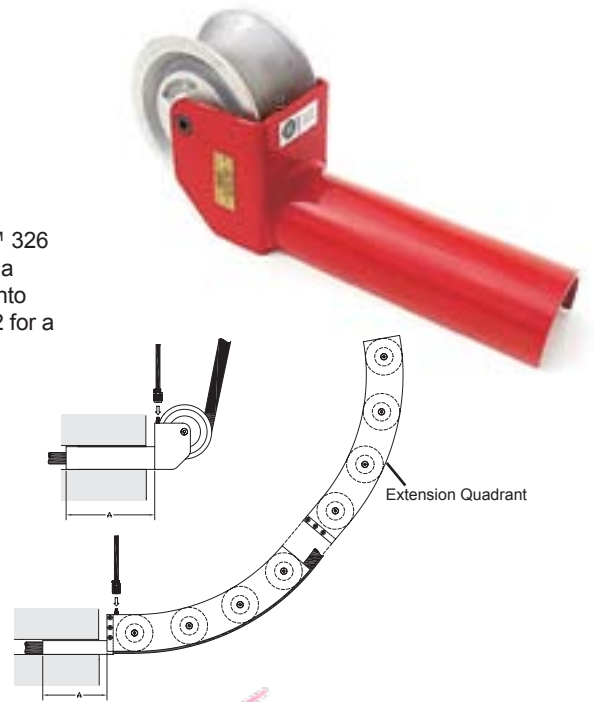
The Duct Entry Guide is unique for two reasons.

First, it has an extra long tube section that goes inside the duct (See dimension A below) for greater stability.

Second, because of the built-in spray nozzle for the DCD TUBE-LUBE™ 326 application. There is one half of a quick-disconnect coupling attached to a spray nozzle that will direct the lubricant right onto the cable as it is fed into the ducting. This is a unique feature for a unique lubricant. See Page 42 for a full description.

Part No.	Duct Diameter	A	Weight	Spare Sheave
32500-125*	1-1/4"	7-1/2"	7.0 lb.	32900-202P
32500-150*	1-1/2"	7-1/2"	7.0 lb.	32900-202P
32501-125*	Extension Quadrant		5.5 lb.	32900-202P
32500-200	2"	7-1/2"	7.0 lb.	32900-303
32500-250	2-1/2"	7-1/2"	10.0 lb.	32900-303
32500-300	3"	9-1/2"	17.0 lb.	32900-307
32500-400	4"	11-1/2"	22.0 lb.	32900-407
32500-500	5"	13-1/2"	27.0 lb.	32900-507
32500-600	6"	15-1/2"	45.0 lb.	32900-611

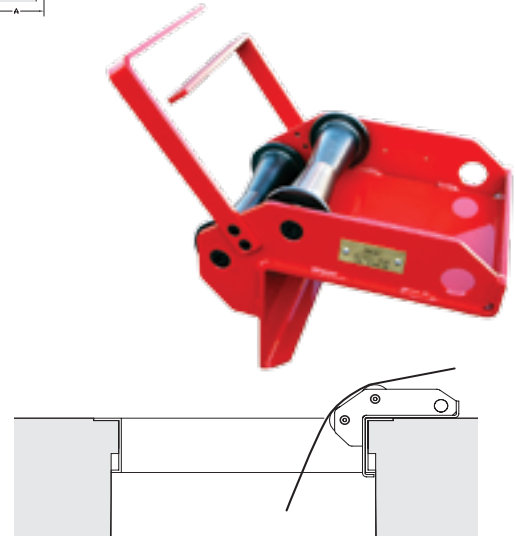
\* For use with Fiber Optic Cable only.  
P designates Polyurethane Sheaves.



## WIRE ROPE GUIDE 32400 series

DCD Wire Rope Guides are designed to withstand over 10,000 lbs. safe working line load. The hardened rollers run on ball bearings at each end for smooth easy rotation and the rollers have a flange at each end to prevent the rope from riding off either side. The product also has an extra deep lip to hook into the manhole.

Guide Part No.	Sheave Width	Sheave Dia.	Weight	Sheave only
32400-200	7"	2"	29 lb.	32900-702



## RIM ROLLER 32450 series

This product is designed to fit over the rim surrounding many electrical installations. While cable is being installed, this product will allow the cable to run over that rim without tearing or damaging the jacket.

Part No.	Description	Weight
32450-400	4" Rim Roller	4 lb.



Web Site: [www.dcdesign.com](http://www.dcdesign.com)  
E-mail: [sales@dcdesign.com](mailto:sales@dcdesign.com)

Toll Free: 1-888-SWIVELS (794-8357)  
Tel: 604-232-4445  
Fax: 604-232-4446

MANHOLE TOOLS

DCD