

## TUF-Lugger™ Duct Guides 40010 series

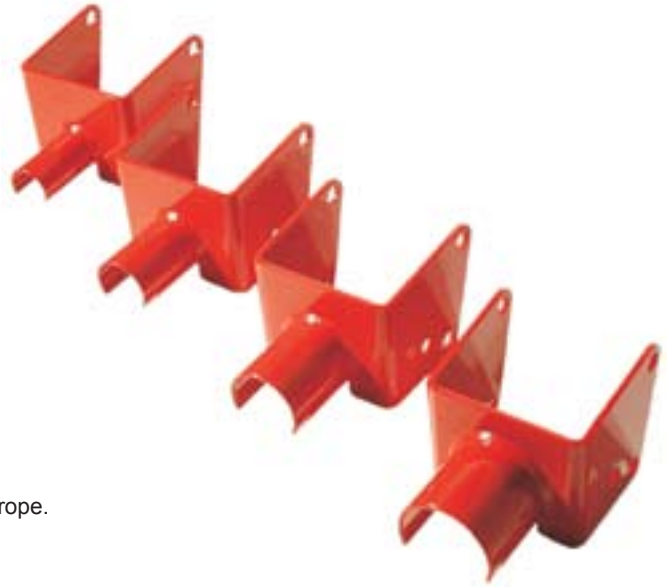
The Duct Guides are designed to locate inside the ducting and provide an anchor point for the TUF-Lugger™ to pull against.

Each TUF-Lugger™ is provided with the Duct Guides marked with an \*. These and all other units are also available individually.

Each Duct Guide has mounting holes for attachment to the last Sheave on the TUF-Lugger™. The assembly of the Duct Guide to the TUF-Lugger™ is reversed for upward direction as opposed to downward direction.

Each unit also has a pair of holes used for indexing the position of the Guide in increments of 7-1/2 degrees.

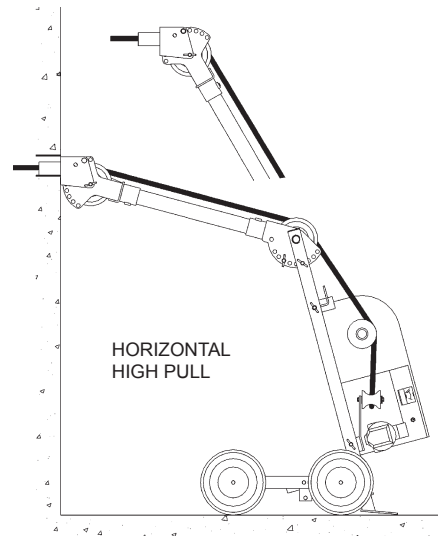
All DCD Duct Guides are open on one side to allow easy installation or removal without feeding over the cable or pulling rope.



Part No.	Description	Weight
40010-200*	Duct Guide — 2"	5.0 lb.
40010-250	Duct Guide — 2-1/2"	5.2 lb.
40010-300*	Duct Guide — 3"	5.5 lb.
40010-350*	Duct Guide — 3-1/2"	6.0 lb.
40010-400*	Duct Guide — 4"	6.0 lb.
40010-500	Duct Guide — 5"	7.5 lb.
40010-600	Duct Guide — 6"	7.5 lb.

**Note:** Items marked \* are included with Tuf-Lugger™ 40000-000

For more information on any aspect  
of this product, please  
call the factory at  
**1-888-794-8357**



Web Site: [www.dcdesign.com](http://www.dcdesign.com)  
E-mail: [sales@dcdesign.com](mailto:sales@dcdesign.com)  
Toll Free: 1-888-SWIVELS (794-8357)  
Tel: 604-232-4445  
Fax: 604-232-4446

**CABLE PULLERS**

**DCD**