

RUF ROD 54000 series – 3/8" Diameter

The 3/8" Ruf Rod features a 34" diameter storage basket which comfortably stores up to 800 ft of fiberglass rod.

The Standard Ruf Rods include a Female Rod End, a Swivel Rod End and a Pulling Eye. The Deluxe version includes accessories as listed below.

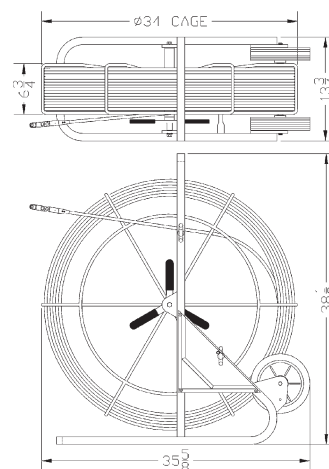
All accessories that attach to the rod can be glued on in the traditional manner or can be clamped on with set screws or they can be glued and clamped for extra security.

Deluxe 3/8" Rod	Rod Length	Weight	Replacement Rod	Deluxe Rod Accessories
54000-200	200 ft.	49 lb.	54100-200	
54000-300	300 ft.	55 lb.	54100-300	
54000-400	400 ft.	61 lb.	54100-400	1 Splice Connector
54000-500	500 ft.	67 lb.	54100-500	1 Flexible Guide Head
54000-600	600 ft.	73 lb.	54100-600	1 Roller Guide
54000-700	700 ft.	79 lb.	54100-700	1 Clevis End
54000-800	800 ft.	85 lb.	54100-800	1 Glue 3 gm
54000-900*	900 ft.	91 lb.	54100-900	1 Rod Gripper
54000-1000*	1000 ft.	97 lb.	54100-1000	1 Accessory Pouch

* These two sizes are spooled on a 7/16" (56000) frame see 56000 Specs for frame dimensions.

For Standard Rodder units that do not include accessories shown above, add "X" to the part number.

Accessory Kits for the above Duct Rodders can be found on page 56.



RUF ROD 56000 series – 7/16" Diameter

The 7/16" Ruf Rod features our largest frame with a 40" diameter storage basket which can hold up to 1500 ft of 7/16" fiberglass rod.

The Standard Ruf Rods include a Female Rod End, a Swivel Rod End and a Pulling Eye. The Deluxe version includes accessories as listed below.

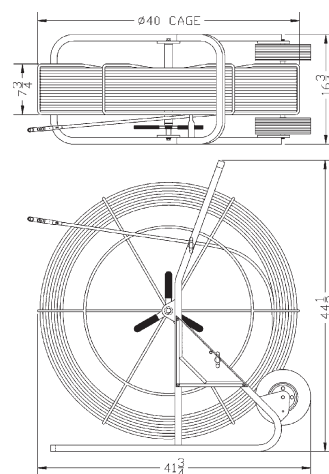
All accessories that attach to the rod can be glued on in the traditional manner or can be clamped on with set screws or they can be glued and clamped for extra security.

Deluxe 7/16" Rod	Deluxe Detectable	Rod Length	Weight	Replacement Reg. Rod	Deluxe Rod Accessories
56000-400	56200-400	400 ft.	84 lb.	56100-400	
56000-500	56200-500	500 ft.	94 lb.	56100-500	
56000-600	56200-600	600 ft.	104 lb.	56100-600	
56000-700	56200-700	700 ft.	114 lb.	56100-700	1 Splice Connector
56000-800	56200-800	800 ft.	124 lb.	56100-800	1 Flexible Guide Head
56000-900	56200-900	900 ft.	134 lb.	56100-900	1 Roller Guide
56000-1000	56200-1000	1000 ft.	144 lb.	56100-1000	1 Clevis End
56000-1100	—	1100 ft.	154 lb.	56100-1100	1 Glue 3 gm
56000-1200	—	1200 ft.	164 lb.	56100-1200	1 Rod Gripper
56000-1300	—	1300 ft.	174 lb.	56100-1300	1 Accessory Pouch
56000-1400*	—	1400 ft.	184 lb.	56100-1400	
56000-1500*	—	1500 ft.	194 lb.	56100-1500	

* Note that these lengths require the full capacity of the frame and are difficult to re-wind into the cage without due care and attention as to the layering of the rod.

For Standard Rodder units that do not include accessories shown above, add "X" to the part number.

Accessory Kits for the above Duct Rodders can be found on page 56.
 For Detectable Duct Rodder information see page 55.



EXTREME DANGER: NEVER USE THIS DETECTABLE RODDER IN A LIVE ELECTRICAL ENVIRONMENT. ELECTRICAL SHOCK OR DEATH MAY RESULT IF CONDUCTIVE ROD TOUCHES EXPOSED CIRCUIT.