

RUF ROD

56500 series – 1/2" Diameter

The 1/2" Ruf Rod completes the range of DCD Duct Rodders. The storage basket is the same as the for the 7/16" rod at 40" diameter and can store up to 1000 ft of the 1/2" fiberglass rod.

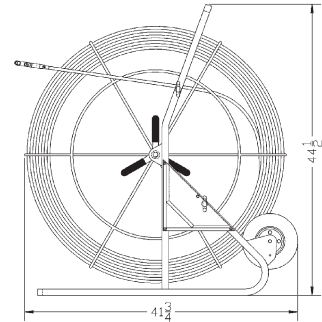
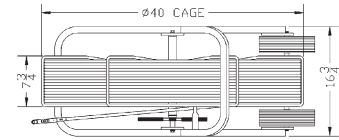
The Standard Ruf Rods include a Female Rod End, a Swivel Rod End and a Pulling Eye. The Deluxe version includes accessories as listed below.

All accessories that attach to the rod can be glued on in the traditional manner or can be clamped on with set screws or they can be glued and clamped for extra security.

Deluxe* 1/2" Rod	Rod Length	Weight	Replacement Rod	*Deluxe Rod Accessories
56500-400	400 ft	96 lb.	56600-400	
56500-500	500 ft.	109 lb.	56600-500	1 Splice Connector
56500-600	600 ft.	122 lb.	56600-600	1 Flexible Guide Head
56500-700	700 ft.	135 lb.	56600-700	1 Roller Guide
56500-800	800 ft.	149 lb.	56600-800	1 Clevis End
56500-900*	900 ft.	162 lb.	56600-900	1 Glue 3 gm
56500-1000*	1000 ft.	175 lb.	56600-1000	1 Rod Gripper 1 Accessory Pouch

* Note that these lengths require the full capacity of the frame and are difficult to re-wind into the cage without due care and attention as to the layering of the rod.

For Standard Rodder units that do not include accessories shown above, add "X" to the part number.



Web Site: www.dcdesign.com
E-mail: sales@dcdesign.com

Toll Free: 1-888-SWIVELS (794-8357)
Tel: 604-232-4445
Fax: 604-232-4446

DUCT RODDERS & ACCESSORIES

DCD