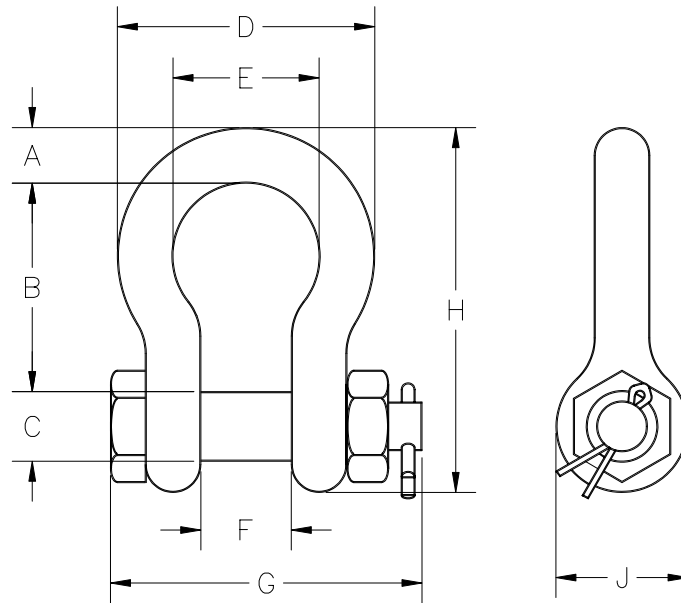


OPERATING SPECIFICATIONS



SERIES 00654 ANCHOR SHACKLE – BOLT TYPE

1. The shackle is intended as a general purpose connector.



Part Number	Safe Working Limit	Ultimate Load	A	B	C	D	E	F	G	H	J	Net Weight
00654-031	1,500 lb 6.7 kN	9,000 lb 40 kN	5/16" 8 mm	1-3/16" 30 mm	3/8" 9 mm	1-1/2" 38 mm	3/16" 5 mm	1/2" 13 mm	1-13/16" 46 mm	2-1/16" 52 mm	3/4" 19 mm	0.22 lb 0.10 kg
00654-037	2,000 lb 8.9 kN	12,000 lb 53 kN	3/8" 9 mm	1-7/16" 37 mm	7/16" 10 mm	1-3/4" 44 mm	1" 25 mm	5/8" 16 mm	2-3/16" 56 mm	2-1/2" 64 mm	15/16" 24 mm	0.33 lb 0.15 kg
00654-043	3,000 lb 13 kN	18,000 lb 80 kN	7/16" 10 mm	1-11/16" 43 mm	1/2" 13 mm	2" 51 mm	1-3/16" 30 mm	3/4" 19 mm	2-1/2" 64 mm	2-15/16" 75 mm	1-1/16" 27 mm	0.49 lb 0.22 kg
00654-050	4,000 lb 18 kN	24,000 lb 110 kN	1/2" 13 mm	1-7/8" 48 mm	5/8" 16 mm	2-5/16" 59 mm	1-5/16" 33 mm	13/16" 21 mm	2-13/16" 71 mm	3-1/4" 83 mm	1-3/16" 30 mm	0.79 lb 0.36 kg
00654-062	6,500 lb 29 kN	39,000 lb 170 kN	5/8" 16 mm	2-3/8" 60 mm	3/4" 19 mm	2-15/16" 75 mm	1-11/16" 43 mm	1-1/16" 27 mm	3-1/2" 89 mm	4-3/16" 106 mm	1-1/2" 38 mm	1.7 lb 0.77 kg

Dimensions and weights subject to change without notice.

The **Safe Working Limit** is calculated using a 6:1 safety factor based on the ultimate load.

The **Ultimate Load** is the tensile load required to separate the connector into two or more parts.