

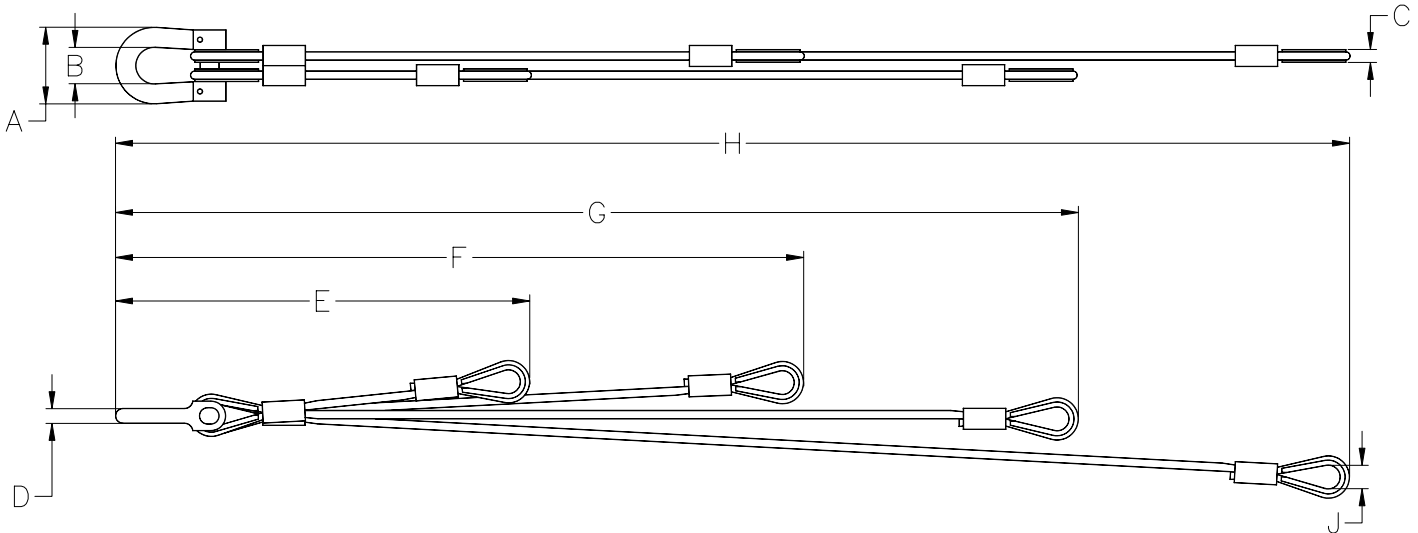
OPERATING SPECIFICATIONS



Design & Manufacturing Ltd.

SERIES 23000 WIRE ROPE SLING

1. The wire rope sling is intended to allow multiple pulls of utility product.



Part Number	Sling Safe Working Limit	Leg Safe Working Limit	A	B	C	D	E	F	G	H	J	Net Weight
23125-020	1,300 lb 5.8 kN	650 lb 2.9 kN	1-11/16" 43 mm	13/16" 21 mm	5/16" 8 mm	5/16" 8 mm	8" 200 mm	12" 300 mm	N/A	N/A	11/16" 17 mm	0.32 lb 0.15 kg
23125-030	1,950 lb 8.7 kN	650 lb 2.9 kN	1-11/16" 43 mm	13/16" 21 mm	5/16" 8 mm	5/16" 8 mm	8" 200 mm	12" 300 mm	16" 400 mm	N/A	11/16" 17 mm	0.58 lb 0.26 kg
23125-040	2,600 lb 11 kN	650 lb 2.9 kN	1-11/16" 43 mm	13/16" 21 mm	5/16" 8 mm	5/16" 8 mm	8" 200 mm	12" 300 mm	16" 400 mm	20" 500 mm	11/16" 17 mm	0.66 lb 0.30 kg
23250-020	4,600 lb 20 kN	2,300 lb 10 kN	2-1/4" 57 mm	1-1/16" 27 mm	7/16" 11 mm	7/16" 11 mm	12" 300 mm	20" 500 mm	N/A	N/A	11/16" 17 mm	1.3 lb 0.59 kg
23250-030	6,900 lb 31 kN	2,300 lb 10 kN	2-1/4" 57 mm	1-1/16" 27 mm	7/16" 11 mm	7/16" 11 mm	12" 300 mm	20" 500 mm	28" 700 mm	N/A	11/16" 17 mm	1.5 lb 0.68 kg
23250-040	9,200 lb 41 kN	2,300 lb 10 kN	2-1/4" 57 mm	1-1/16" 27 mm	7/16" 11 mm	7/16" 11 mm	12" 300 mm	20" 500 mm	28" 700 mm	36" 900 mm	11/16" 17 mm	1.9 lb 0.86 kg
23375-020	9,600 lb 43 kN	4,800 lb 21 kN	2-13/16" 71 mm	1-5/16" 33 mm	9/16" 14 mm	9/16" 14 mm	18" 450 mm	28" 700 mm	N/A	N/A	15/16" 24 mm	3.0 lb 1.4 kg
23375-030	14,400 lb 64 kN	4,800 lb 21 kN	2-13/16" 71 mm	1-5/16" 33 mm	9/16" 14 mm	9/16" 14 mm	18" 450 mm	28" 700 mm	38" 950 mm	N/A	15/16" 24 mm	3.9 lb 1.8 kg
23375-040	19,200 lb 85 kN	4,800 lb 21 kN	3-1/2" 89 mm	1-5/8" 41 mm	9/16" 14 mm	11/16" 17 mm	18" 450 mm	28" 700 mm	38" 950 mm	48" 1200 mm	15/16" 24 mm	6.0 lb 2.7 kg
23500-020	13,800 lb 61 kN	6,900 lb 31 kN	3-1/2" 89 mm	1-5/8" 41 mm	3/4" 19 mm	11/16" 17 mm	28" 700 mm	38" 950 mm	N/A	N/A	1" 25 mm	6.9 lb 3.1 kg
23500-030	20,700 lb 92 kN	6,900 lb 31 kN	3-1/2" 89 mm	1-5/8" 41 mm	3/4" 19 mm	11/16" 17 mm	28" 700 mm	38" 950 mm	48" 1200 mm	N/A	1" 25 mm	8.4 lb 3.8 kg
23500-040	27,600 lb 123 kN	6,900 lb 31 kN	3-15/16" 100 mm	1-15/16" 49 mm	3/4" 19 mm	13/16" 21 mm	28" 700 mm	38" 950 mm	48" 1200 mm	58" 1450 mm	1" 25 mm	13 lb 5.9 kg

Dimensions and weights subject to change without notice.

The **Safe Working Limit** is calculated using a 3:1 safety factor based on the ultimate load. The **Ultimate Load** is the tensile load required to separate the sling into two or more parts.