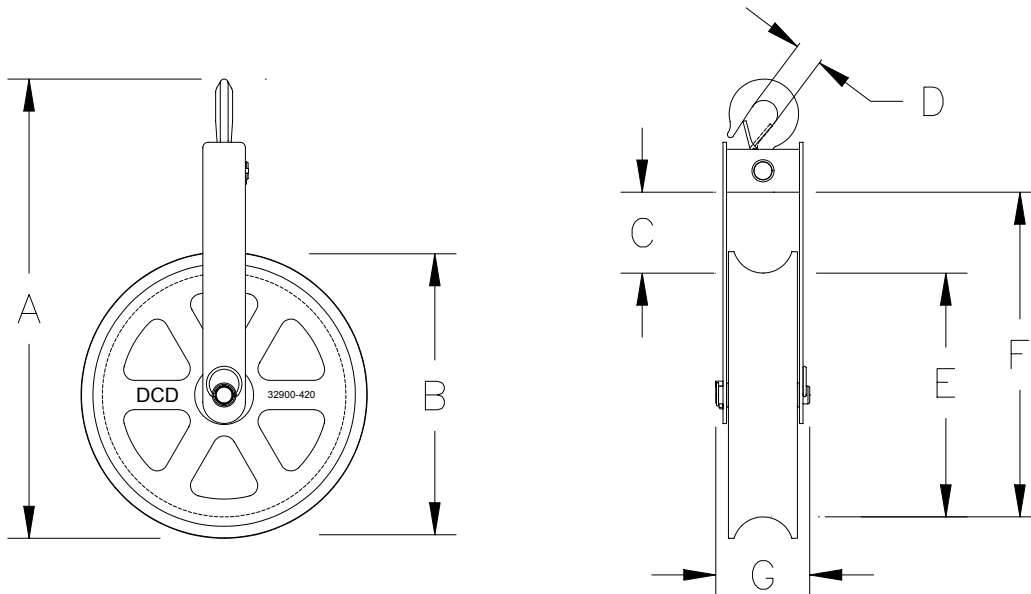


OPERATING SPECIFICATIONS

DCD Design & Manufacturing Ltd.

SERIES 32000 Sheave c/w Single Hanger

1. The Sheave c/w Single Hanger is intended for guiding pull lines or cables around a bend.



Part Number	Safe Working Limit	Ultimate Load	A	B	C	D	E	F	G	Net Weight
32000-420	10,000 lb 45 kN	30,000 lb 135 kN	32-1/2" 826 mm	20" 508 mm	5-11/16" 145 mm	1-5/16" 33 mm	17" 432 mm	22-13/16" 579 mm	6-1/4" 160 mm	51 lb 23 kg
32000-526	10,000 lb 45 kN	30,000 lb 135 kN	39-1/2" 1003 mm	26" 660 mm	6-15/16" 176 mm	1-5/16" 33 mm	22-1/2" 572 mm	29-9/16" 751 mm	6-7/8" 175 mm	75 lb 34 kg
32000-611	10,000 lb 45 kN	30,000 lb 135 kN	27-11/16" 703 mm	11" 280 mm	11-1/16" 281 mm	1-5/16" 33 mm	6-1/4" 160 mm	17-3/8" 441 mm	7-7/8" 200 mm	41 lb 19 kg
32000-811	10,000 lb 45 kN	30,000 lb 135 kN	27-11/16" 703 mm	11" 280 mm	11-1/2" 292 mm	1-5/16" 33 mm	5-1/2" 140 mm	17-1/16" 433 mm	9-7/8" 251 mm	52 lb 24 kg

Dimensions and weights subject to change without notice.

The **Safe Working Limit** is the maximum line pull and is calculated using a 3:1 safety factor based on the ultimate load.

OPERATING INSTRUCTIONS



**Design &
Manufacturing Ltd.**

SERIES 32000 Sheave c/w Single Hanger

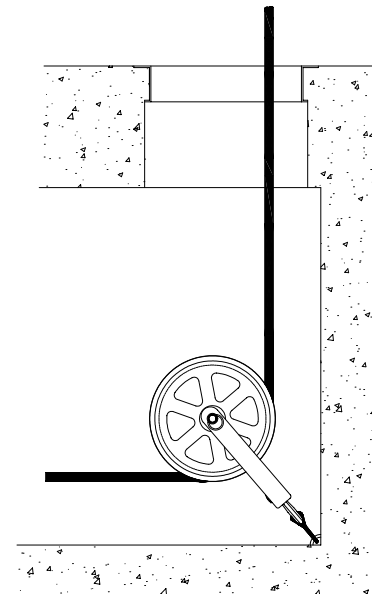
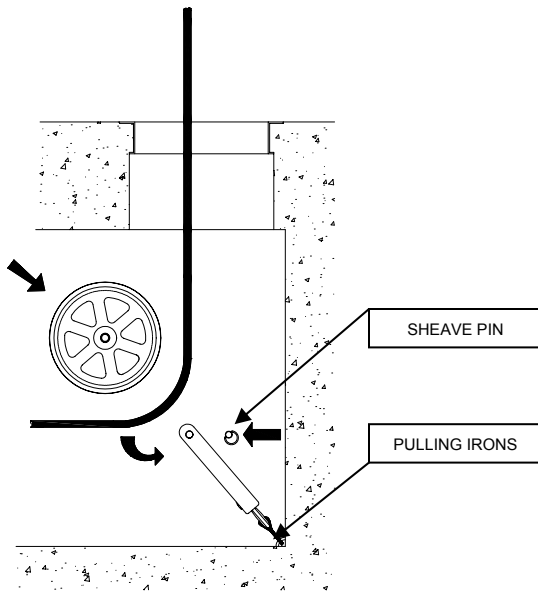


INSTALLATION

There are two ways to install a Sheave c/w Single Hanger:

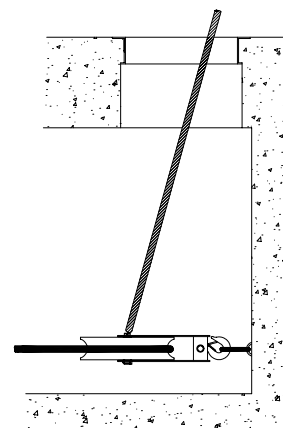
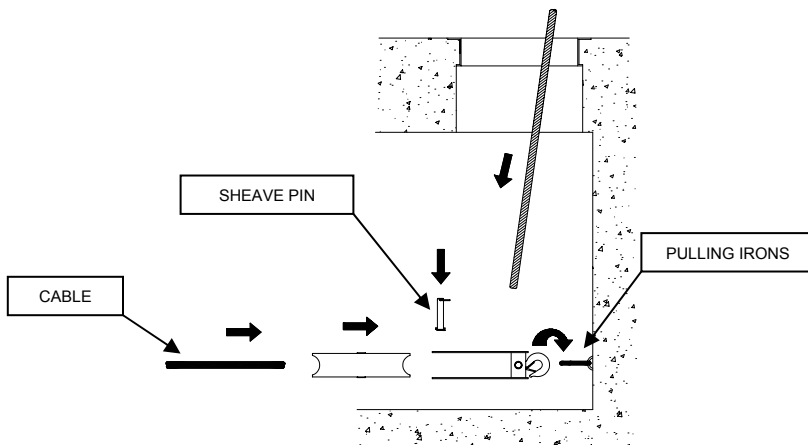
VERTICALLY

1. Attach hanger arm to pulling irons. Remove sheave pin. Install cable between hanger arms.
2. Replace sheave and sheave pin.



HORIZONTALLY

4. Attach hanger arm to pulling irons. Remove Sheave pin. Install cable between hanger arms.
3. Replace sheave and sheave pin. Attach line to "D" ring on sheave pin to support sheave.



OPERATING INSTRUCTIONS



**Design &
Manufacturing Ltd.**

SAFETY



1. The Sheaves c/w Single Hanger is designed to operate only within its specified **safe working limit** (see *Operating Specifications*). Operation of the Sheaves c/w Single Hanger at loads in excess of **safe working limit** will void the warranty.
2. For underground use, the recommended safe working limit is 3:1 based on its ultimate load.
3. Never use a worn, defective or incomplete component. Ensure that all components of the pulling system are able to withstand the maximum pulling loads. Components not rated for the pull force may break and release the stored energy of the pull.
4. Do not modify the Sheaves c/w Single Hanger. It has been assembled, inspected, and is only covered by a warranty in its "as shipped" form. Any attempt to modify the Sheaves c/w Single Hanger will void the warranty and may result in property damage, severe bodily harm, or death.
5. Be prepared for the unexpected. Use recognized safety practices and wear recognized safety equipment.

SERVICE



Replacement parts are available for this product.