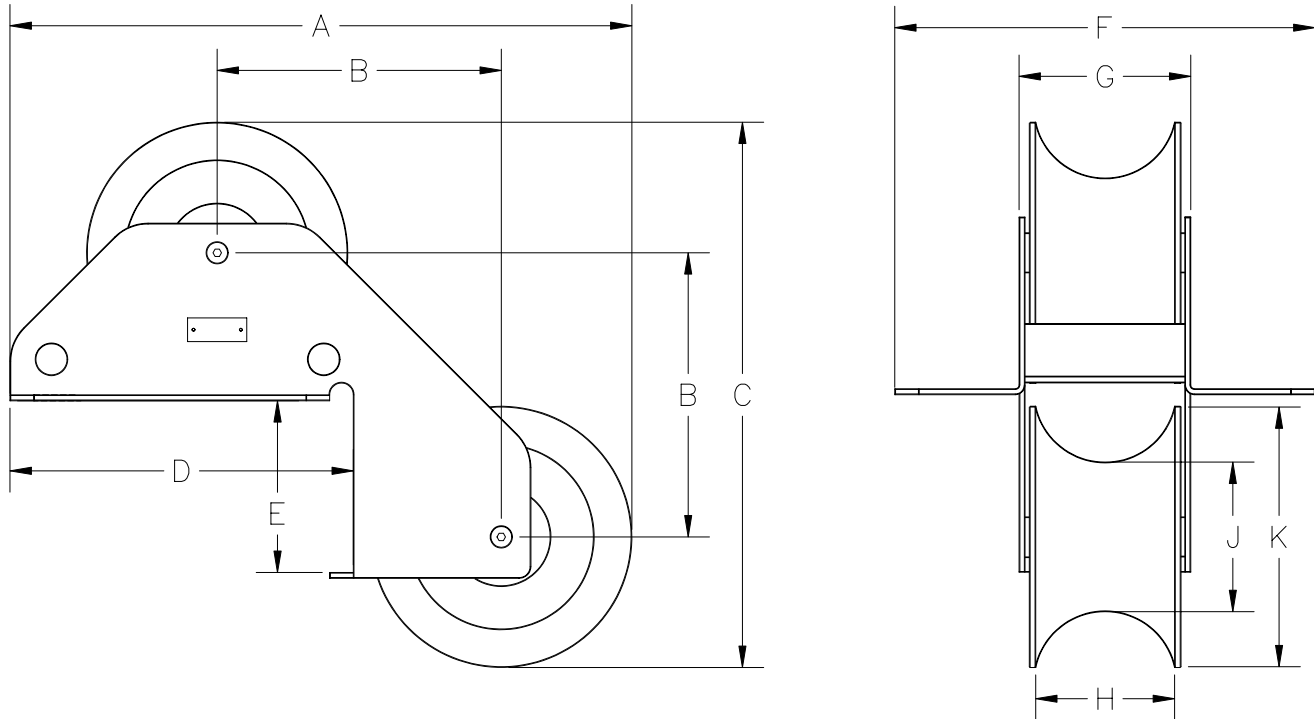


# OPERATING SPECIFICATIONS



## SERIES 32300 CORNER GUIDE

1. The corner guide is intended for guiding cable around the corner of a manhole.



Part Number	Safe Working Limit	Ultimate Load	A	B	C	D	E	F	G	H	J	K	Net Weight
32300-400	10,000 lb 45 kN	30,000 lb 135 kN	26-1/4" 670 mm	12" 300 mm	23" 580 mm	14-1/2" 370 mm	7-1/4" 185 mm	15-3/4" 400 mm	5-1/4" 135 mm	4" 100 mm	7-1/2" 190 mm	11" 280 mm	69 lb 31 kg
32300-500	10,000 lb 45 kN	30,000 lb 135 kN	26-1/4" 670 mm	12" 300 mm	23" 580 mm	14-1/2" 370 mm	7-1/4" 185 mm	16-3/4" 425 mm	6-1/4" 160 mm	5" 125 mm	6-1/2" 165 mm	11" 280 mm	75 lb 34 kg
32300-600	10,000 lb 45 kN	30,000 lb 135 kN	26-1/4" 670 mm	12" 300 mm	23" 580 mm	14-1/2" 370 mm	7-1/4" 185 mm	17-3/4" 450 mm	7-1/4" 185 mm	5-3/4" 145 mm	6-1/4" 160 mm	11" 280 mm	80 lb 36 kg
32300-800	10,000 lb 45 kN	30,000 lb 135 kN	26-1/4" 670 mm	12" 300 mm	23" 580 mm	14-1/2" 370 mm	7-1/4" 185 mm	19-3/4" 500 mm	9-1/4" 235 mm	7-3/4" 195 mm	5-1/2" 140 mm	11" 280 mm	99 lb 45 kg

Dimensions and weights subject to change without notice.

The **Safe Working Limit** is the maximum line pull and is calculated using a 3:1 safety factor based on the ultimate load.

# OPERATING INSTRUCTIONS

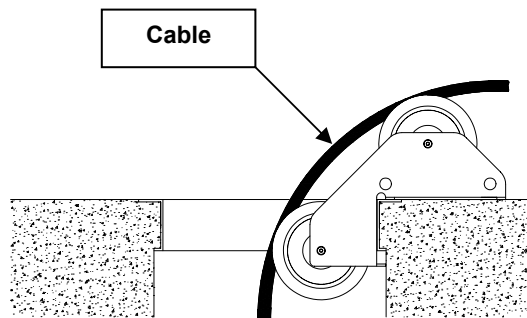
**DCD** Design & Manufacturing Ltd.

**SERIES 32300 CORNER GUIDE**

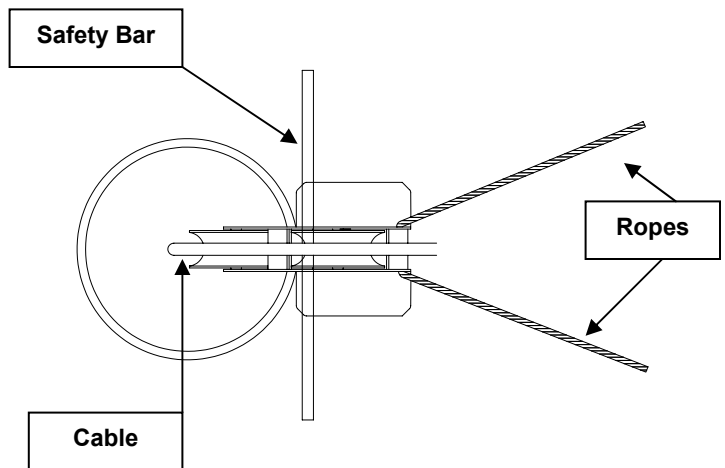


## INSTALLATION

1. Install corner guide on edge of manhole.



2. Secure in place using ropes or safety bar.



## SAFETY



1. The corner guide is designed to operate only within its specified **safe working limit** (see *Operating Specifications*). Operation of the corner guide at loads in excess of **safe working limit** will void the warranty.
2. For underground use, the recommended safe working limit is 3:1 based on its ultimate load.
3. Never use a worn, defective or incomplete component. Ensure that all components of the pulling system are able to withstand the maximum pulling loads. Components not rated for the pull force may break and release the stored energy of the pull.
4. Do not modify the corner guide. It has been assembled, inspected, and is only covered by a warranty in its "as shipped" form. Any attempt to modify the corner guide will void the warranty and may result in property damage, severe bodily harm, or death.
5. Be prepared for the unexpected. Use recognized safety practices and wear recognized safety equipment.

## SERVICE



Replacement parts are available for this product.