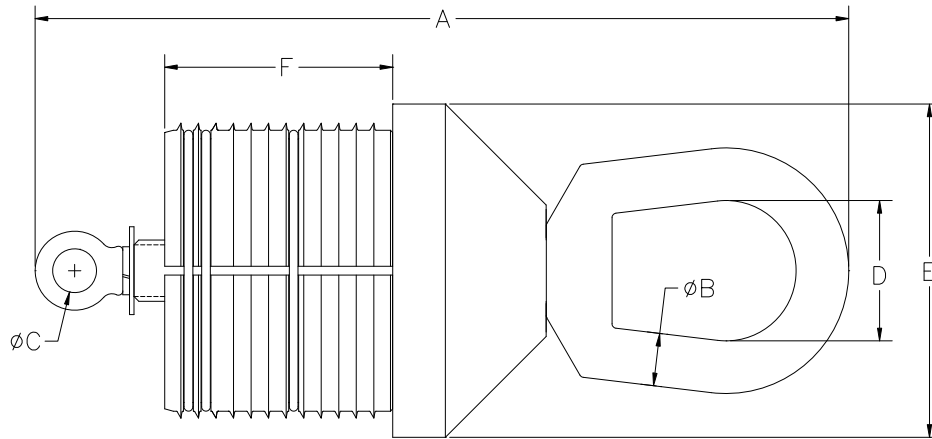


OPERATING SPECIFICATIONS



SERIES 00621 DUCT PULLER (Metric Sizes)

1. Series 00621 Duct Pullers are designed for pulling non-metallic duct, utilizing adjustable expanding jaws.



Part Number	Safe Working Limit	Nominal Duct Diameter	A	B	C	D	E	F	Net Weight
00621-040	3,750 lb 16.6 kN	40 mm	7-1/16" 179mm	3/8" 9mm	3/8" 9mm	1-1/4" 32mm	2" 51mm	9 Teeth 2" / 51mm	1.6 lb 0.73 kg
00621-063	6,000 lb 26.6 kN	63 mm	8-5/16" 211mm	1/2" 13mm	1/2" 13mm	1-1/2" 38mm	2-1/2" 63mm	10 Teeth 2-1/2" / 63mm	3.0 lb 1.36 kg
00621-075	6,000 lb 26.6 kN	75 mm	9-3/16" 233mm	1/2" 13mm	1/2" 13mm	1-1/2" 38mm	3" 76mm	10 Teeth 2-1/2" / 63mm	4.9 lb 2.2 kg
00621-090	12,000 lb 53.3 kN	90 mm	13-3/16" 351mm	3/4" 19mm	3/4" 19mm	2" 51mm	3-3/4" 95mm	11 Teeth 3" / 76mm	8.9 lb 4.0 kg
00621-110	12,000 lb 53.3 kN	110 mm	13-13/16" 351mm	3/4" 19mm	3/4" 19mm	2" 51mm	4-3/4" 121mm	12 Teeth 3-1/8" / 79mm	14.5 lb 6.6 kg
00621-125	25,500 lb 113.4 kN	125 mm	16-3/16" 411mm	1" 25mm	1" 25mm	2-1/2" 63mm	6" 152mm	17 Teeth 4-1/2" / 114mm	31.5 lb 14.3 kg
00621-140	25,500 lb 113.4 kN	140 mm	16-3/16" 411mm	1" 25mm	1" 25mm	2-1/2" 63mm	6" 152mm	17 Teeth 4-1/2" / 114mm	31.5 lb 14.3 kg
00621-160	25,500 lb 113.4 kN	160 mm	18" 457mm	1" 25mm	1" 25mm	2-1/2" 63mm	7" 178mm	21 Teeth 5-1/2" / 140mm	48.6 lb 22.0 kg
00621-180	25,500 lb 113.4 kN	180 mm	18" 457mm	1" 25mm	1" 25mm	2-1/2" 63mm	7" 178mm	21 Teeth 5-1/2" / 140mm	48.6 lb 22.0 kg
00621-200	37,000 lb 164.5 kN	200 mm & 225 mm	19-1/2" 495mm	1" 25mm	1-1/2" 38mm	2-1/2" 63mm	8-3/4" 222mm	19 Teeth 6" / 152mm	90 lb 40.8 kg

The **Safe Working Limit** of the puller is calculated using a 3:1 safety factor based on the ultimate load.

Operation of the puller at loads in excess of its **Safe Working Limit** may cause permanent damage and the warranty will be voided.

Dimensions and weights subject to change without notice.

OPERATING INSTRUCTIONS



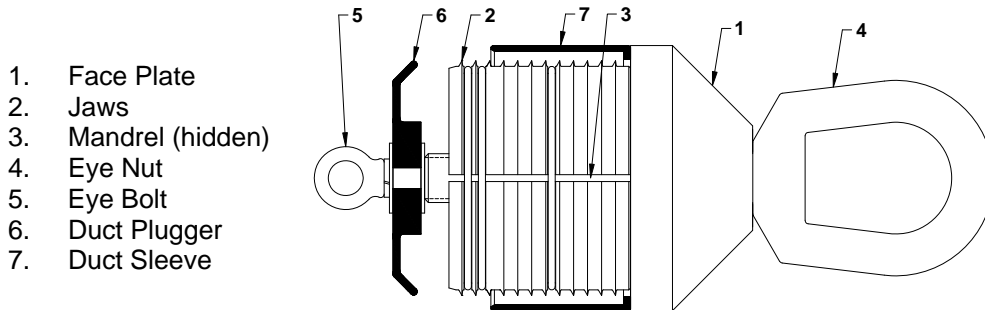
**Design &
Manufacturing Ltd.**

SERIES 00621 DUCT PULLER



SELECTION

1. Use the following table when selecting a puller to fit the duct.
2. Refer to the following table for replacement "O"-rings for jaws.
3. The Series 00621 Duct Puller is made up of five basic components, as shown on the drawing. The eye nut, when tightened, draws the mandrel into the jaws, seating the jaws into the duct.
4. Item (6) "Duct Plugger" is used to keep drilling mud and fluids from entering the duct when pulling it into place. This product must be ordered separately from the Duct Puller.
5. Item (7) "Duct Sleeve" is used to contain thin wall ducting when the Duct Puller is expanded, thus giving the expanding shells a firmer grip on the duct. This product must be ordered separately from the Duct Puller and is highly recommended when pulling thin wall PE ducting or PVC.



Duct Puller Part#	Nominal Duct Diameter	Minimum Duct Inside Dia.	Maximum Duct Inside Dia.	Duct Sleeve Part#	Duct Plugger Part#	Replacement Jaw "O"-Ring Qty & Part#
00621-040	40 mm	1-9/32" 32mm	1-1/2" 38mm	00626-040	00631-040	2 x 90027-100
00621-063	63 mm	2" 51mm	2-1/4" 57mm	00626-063	00631-063	2 x 90027-175
00621-075	75 mm	2-3/8" 60mm	2-5/8" 67mm	00626-075	00631-075	3 x 90027-213
00621-090	90 mm	2-7/8" 73mm	3-3/16" 81mm	00626-090	00631-090	3 x 90027-250
00621-110	110 mm	3-3/8" 86mm	3-15/16" 100mm	00626-110	00631-110	3 x 90027-250
00621-125	125 mm	3-7/8" 99mm	4-3/8" 111mm	N/A	00631-125	4 x 90027-300
00621-140	140 mm	4-1/2" 114mm	5" 127mm	N/A	00631-140	4 x 90027-400
00621-160	160 mm	4-15/16" 125mm	5-5/8" 143mm	N/A	00631-160	4 x 90027-413
00621-180	180 mm	5-11/16" 144mm	6-3/8" 162mm	N/A	00631-180	4 x 90027-475
00621-200	200 mm & 225 mm	6-7/16" 163mm	7-7/8" 200mm	N/A	00631-200	3 x 90027-5001

OPERATING INSTRUCTIONS



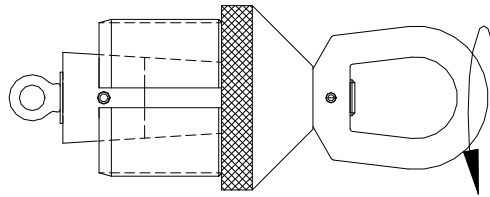
**Design &
Manufacturing Ltd.**

SERIES 00621 DUCT PULLER

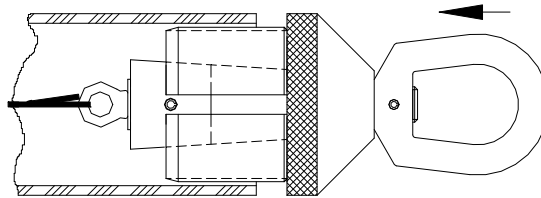


INSTALLATION

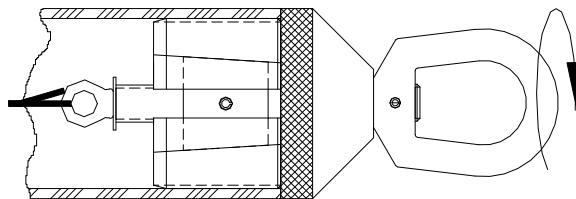
1. To install the Duct Puller, make sure to first collapse the jaws. To do this, grip the face plate while turning the eye nut in a counter clockwise direction. The mandrel should come out as far as the stop washer, allowing the jaws to fully collapse.



2. Attach pull tape to the eyebolt if desired, insert the Duct Puller into the duct up to the face plate. Note: the eyebolt is not rated to the same SWL as the puller. Turn the eye nut in a clockwise rotation while gripping the face plate until firm contact is felt.



3. Grip the duct firmly and using a leverage bar, tighten the eye nut until it advances approximately the number of rotations shown in the table below. This will depend on the type of duct being installed. During installation, the ducting should be prevented from stretching by using a Duct Sleeve or other form of restraint.



WARNING: There is a limit to the travel of the mandrel. When a solid feel is encountered during tightening, this limit may have been reached. Do not attempt to over tighten as this may cause damage to the Duct Puller.

DUCT WALL	PN 10	PN6
NUMBER OF FULL TURNS AFTER CONTACT	6-8 TURNS	3-5 TURNS

4. To remove, loosen off the eye nut in a counter clockwise rotation using a leverage bar. NOTE: It may be necessary to lightly hammer on the outside of the duct to loosen the grip of the jaws.

OPERATING INSTRUCTIONS

DCD Design & Manufacturing Ltd.

SERIES 00621 DUCT PULLER



OPERATION



1. This product **must not** be used if the pulling mechanism functions in a **counter clockwise rotation**. This will cause the Duct Puller to loosen its grip within the duct.
2. A swivel must **always** be used between the Duct Puller and the pulling mechanism to avoid severe damage to the duct and the Duct Puller as well as extreme likelihood of personal injury.

SAFETY



1. Certain factors may cause the pull to separate and release the stored energy of the duct, rope, chain or cable. Make sure that all components of the pulling system are able to withstand the maximum pulling loads. Components not rated for the pull force may break and release the stored energy of the pull. Never use a worn, defective or incomplete component.
2. Be prepared for the unexpected. Use recognized safety practices and wear recognized safety equipment.

SERVICE



1. To maintain this product in the best possible condition, a light smear of grease should be applied to the surface of the taper on the mandrel and the thread it rides on after each use.
2. Apply grease or graphite based oil to the thrust washer below the head of the eye nut.