

00925/24000/24100 Series

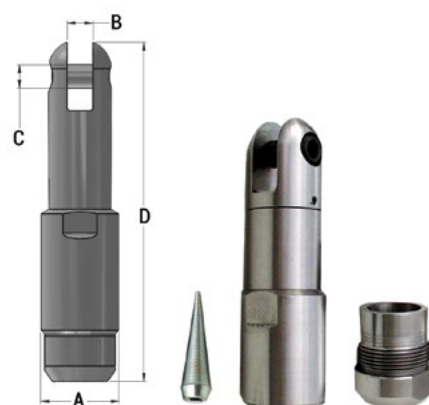
Power Cable Pulling Eyes

DCD power cable pulling eyes are all designed to offer the shortest possible overall length to help in travel over sheaves or bullwheels and are manufactured from high strength stainless steel. Three types are offered: a Swivel-Grip™, a Lug-style Power-Grip™, and a Clevis-style Power-Grip™.

The Swivel-Grip™ includes a built-in swivel head with load ratings always greater than the cable it is designed to pull. The two Power-Grip™ types do not have a built-in swivel, but are much shorter making bends and sheaves easier to traverse.

Grip is obtained by cutting away the cable jacket, feeding the core through the cone nut and driving the tapered insert into the cable core. The higher the load, the further the insert is drawn into the tapered bore and the firmer the grip becomes. The newly designed cone nuts feature a shortened thread making assembly and removal much quicker.

Thorough testing proves that the grip obtained by this method is better than the strength of the cable itself. It is recommended that these pulling eyes be used only on cables with more than seven strand conductors. For cables with less than seven strands, use the Mini-Grip™ (24500 series).



00925 Series

Swivel-Grip™

The Swivel-Grip™ pulling eye is re-usable and has a built in swivel. It is constructed with all the features of the DCD Line Swivel (00505 series). The clevis head will attach directly onto a bridle sling or other pulling rope.

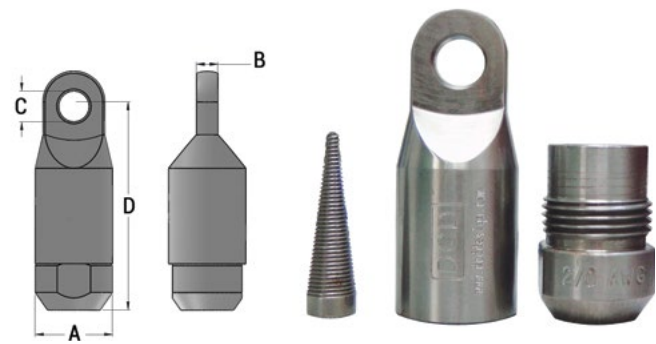
Special cone nut sizes for compact cable available on request.

Part No.	Maximum Cable Size	Maximum Core Diameter	Swivel-Grip Components					Weight	Body	Threaded Cone Nut	Tapered Insert	Fits Bridle Sling
			A	B	C	D						
00925-001	1/0 AWG	0.39" 9.9 mm	1-1/4" 32 mm	13/32" 10.3 mm	3/8" 9.5 mm	5-5/8" 143 mm	1.05 lb 0.47 kg	00926-001	24006-001	24005-001	1/4"	
00925-002	2/0 AWG	0.44" 11.1 mm	1-1/4" 32 mm	13/32" 10.3 mm	3/8" 9.5 mm	5-5/8" 143 mm	1.03 lb 0.46 kg	00926-001	24006-002	24005-001		
00925-003	3/0 AWG	0.50" 12.7 mm	1-1/4" 32 mm	13/32" 10.3 mm	3/8" 9.5 mm	5-5/8" 143 mm	1.08 lb 0.49 kg	00926-001	24006-003	24005-001		
00925-004	4/0 AWG	0.54" 13.7 mm	1-1/4" 32 mm	13/32" 10.3 mm	3/8" 9.5 mm	5-5/8" 143 mm	0.98 lb 0.44 kg	00926-001	24006-004	24005-001		
00925-025	250 MCM	0.61" 15.5 mm	1-1/4" 32 mm	13/32" 10.3 mm	3/8" 9.5 mm	5-5/8" 143 mm	0.93 lb 0.42 kg	00926-001	24006-025	24005-001		
00925-030	300 MCM	0.62" 15.7 mm	1-1/4" 32 mm	13/32" 10.3 mm	3/8" 9.5 mm	5-5/8" 143 mm	0.92 lb 0.42 kg	00926-001	24006-030	24005-001		
00925-035C	350 MCM Compact	0.65" 16.5 mm	1-7/8" 48 mm	11/16" 17.4 mm	5/8" 15.9 mm	7-1/8" 181 mm	3.34 lb 1.51 kg	00926-035	24006-035C	24005-035	1/4" & 3/8"	
00925-035	350 MCM	0.71" 18.0 mm	1-7/8" 48 mm	11/16" 17.4 mm	5/8" 15.9 mm	7-1/8" 181 mm	3.30 lb 1.49 kg	00926-035	24006-035	24005-035		
00925-050	500 MCM	0.81" 20.6 mm	1-7/8" 48 mm	11/16" 17.4 mm	5/8" 15.9 mm	7-1/8" 181 mm	3.20 lb 1.45 kg	00926-035	24006-050	24005-035		
00925-060	600 MCM	0.91" 23.1 mm	1-7/8" 48 mm	11/16" 17.4 mm	5/8" 15.9 mm	7-1/8" 181 mm	3.10 lb 1.41 kg	00926-035	24006-060	24005-035		
00925-070	700 MCM	0.97" 24.6 mm	2-1/8" 54 mm	25/32" 19.8 mm	11/16" 17.4 mm	8" 203 mm	4.70 lb 2.1 kg	00926-070	24006-070	24005-070	3/8" & 1/2"	
00925-075C	750 MCM Compact	0.94" 23.8 mm	2-1/8" 54 mm	25/32" 19.8 mm	11/16" 17.4 mm	8" 203 mm	4.90 lb 2.2 kg	00926-070	24006-075C	24005-070		
00925-075	750 MCM	1.00" 25.4 mm	2-1/8" 54 mm	25/32" 19.8 mm	11/16" 17.4 mm	8" 203 mm	4.70 lb 2.1 kg	00926-070	24006-075	24005-070		
00925-100C	500 MCM ² Custom	1.03" 26.2 mm	2-1/8" 54 mm	25/32" 19.8 mm	11/16" 17.4 mm	8" 203 mm	4.40 lb 2.0 kg	00926-070	24006-100C	24005-070		
00925-100	1000 MCM	1.15" 29.2 mm	2-1/8" 54 mm	25/32" 19.8 mm	11/16" 17.4 mm	8" 203 mm	4.50 lb 2.0 kg	00926-070	24006-100	24005-070		

24000 Series

Power-Grip™ (Lug)

The Power-Grip™ pulling eye is reusable and has a lug style head that will attach directly into a Line Swivel (00505 series) or other type of connector. All materials are stainless steel. Only four body sizes are used to cover the range from 1/0 to 5000 MCM cable. Note that these pulling eyes should always be used with a swivel.



Part No.	Maximum Cable Size	Maximum Core Diameter	Power-Grip Components					Weight	Body	Threaded Cone Nut	Tapered Insert	Fits Line Swivels
			A	B	C	D						
24000-001	1/0 AWG	0.39" 9.9 mm	1-1/4" 32 mm	11/32" 8.7 mm	1/2" 13 mm	3-7/8" 98 mm	0.68 lb 0.30 kg	24007-001	24006-001	24005-001	00505-010 to 00505-027	
24000-002	2/0 AWG	0.44" 11.1 mm	1-1/4" 32 mm	11/32" 8.7 mm	1/2" 13 mm	3-7/8" 98 mm	0.67 lb 0.30 kg	24007-001	24006-002	24005-001		
24000-003	3/0 AWG	0.50" 12.7 mm	1-1/4" 32 mm	11/32" 8.7 mm	1/2" 13 mm	3-7/8" 98 mm	0.64 lb 0.29 kg	24007-001	24006-003	24005-001		
24000-004	4/0 AWG	0.54" 13.7 mm	1-1/4" 32 mm	11/32" 8.7 mm	1/2" 13 mm	3-7/8" 98 mm	0.61 lb 0.27 kg	24007-001	24006-004	24005-001		
24000-025	250 MCM	0.61" 15.5 mm	1-1/4" 32 mm	11/32" 8.7 mm	1/2" 13 mm	3-7/8" 98 mm	0.58 lb 0.26 kg	24007-001	24006-025	24005-001	00505-015 to 00505-030	
24000-030	300 MCM	0.62" 15.7 mm	1-1/4" 32 mm	11/32" 8.7 mm	1/2" 13 mm	3-7/8" 98 mm	0.57 lb 0.26 kg	24007-001	24006-030	24005-001		
24000-035C	350 MCM Compact	0.65" 16.5 mm	1-7/8" 48 mm	3/8" 9.5 mm	5/8" 15.9 mm	4-3/4" 120 mm	1.88 lb 0.85 kg	24007-035	24006-035C	24005-035		
24000-035	350 MCM	0.71" 18.0 mm	1-7/8" 48 mm	3/8" 9.5 mm	5/8" 15.9 mm	4-3/4" 120 mm	1.84 lb 0.83 kg	24007-035	24006-035	24005-035	00505-020 to 00505-035	
24000-050	500 MCM	0.81" 20.6 mm	1-7/8" 48 mm	3/8" 9.5 mm	5/8" 15.9 mm	4-3/4" 120 mm	1.75 lb 0.79 kg	24007-035	24006-050	24005-035		
24000-060	600 MCM	0.91" 23.1 mm	1-7/8" 48 mm	3/8" 9.5 mm	5/8" 15.9 mm	4-3/4" 120 mm	1.73 lb 0.79 kg	24007-035	24006-060	24005-035		
24000-070	700 MCM	0.97" 24.6 mm	2-1/8" 54 mm	1/2" 13 mm	13/16" 20.5 mm	5-5/8" 142 mm	2.55 lb 1.15 kg	24007-070	24006-070	24005-070	00505-035 to 00505-041	
24000-075C	750 MCM Compact	0.94" 23.8 mm	2-1/8" 54 mm	1/2" 13 mm	13/16" 20.5 mm	5-5/8" 142 mm	2.51 lb 1.14 kg	24007-070	24006-075C	24005-070		
24000-075	750 MCM	1.00" 25.4 mm	2-1/8" 54 mm	1/2" 13 mm	13/16" 20.5 mm	5-5/8" 142 mm	2.47 lb 1.12 kg	24007-070	24006-075	24005-070		
24000-100C	500 mm ² Compact	1.03" 26.2 mm	2-1/8" 54 mm	1/2" 13 mm	13/16" 20.5 mm	5-5/8" 142 mm	2.40 lb 1.09 kg	24007-070	24006-100C	24005-070		
24000-100	1000 MCM	1.15" 29.2 mm	2-1/8" 54 mm	1/2" 13 mm	13/16" 20.5 mm	5-5/8" 142 mm	2.30 lb 1.04 kg	24007-070	24006-100	24005-070	00505-045 & 00505-050	
*24000-125	1250 MCM	1.29" 32.8 mm	2-3/4" 70 mm	3/4" 19 mm	1-1/32" 26 mm	7-15/16" 202 mm	6.37 lb 2.88 kg	24007-125	24006-125	24005-125		
*24000-150	1500 MCM	1.41" 35.8 mm	2-3/4" 70 mm	3/4" 19 mm	1-1/32" 26 mm	7-15/16" 202 mm	6.13 lb 2.78 kg	24007-125	24006-150	24005-125		
*24000-175	1750 MCM	1.53" 38.9 mm	2-3/4" 70 mm	3/4" 19 mm	1-1/32" 26 mm	7-15/16" 202 mm	5.84 lb 2.64 kg	24007-125	24006-175	24005-125		
*24000-200	2000 MCM	1.63" 41.4 mm	2-3/4" 70 mm	3/4" 19 mm	1-1/32" 26 mm	7-15/16" 202 mm	5.53 lb 2.50 kg	24007-125	24006-200	24005-125	00505-045 & 00505-050	
*24000-200C	45 mm 2500 MCM	1.75" 44.5 mm	2-3/4" 70 mm	3/4" 19 mm	1-1/32" 26 mm	7-15/16" 202 mm	5.40 lb 2.45 kg	24007-125	24006-200C	24005-125		
*24000-300	3000 MCM	1.85" 47.0 mm	2-3/4" 70 mm	3/4" 19 mm	1-1/32" 26 mm	6-25/32" 172 mm	4.64 lb 2.11 kg	24007-125	24006-200	24005-125		
*24000-300C	1800 mm ²	2.06" 52.4 mm	4-1/2" 114 mm	1" 25 mm	1-3/4" 44.5 mm	11-11/16" 297 mm	25.8 lb 11.7 kg	24007-500	24006-300C	24005-500		
*24000-500	5000 MCM	2.52" 64.0 mm	4-1/2" 114 mm	1" 25 mm	1-3/4" 44.5 mm	11-11/16" 297 mm	23.7 lb 10.8 kg	24007-500	24006-500	24005-500		

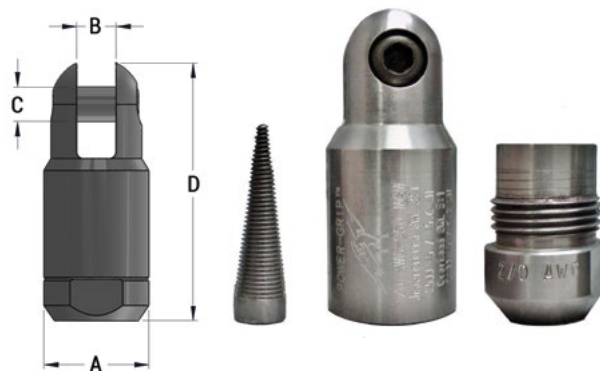
* Larger Power-Grips are machined from alloy steel and plated.

DCD

Cable Pulling Eyes

24100 Series**Power-Grip™ (Clevis)**

The Power-Grip™ pulling eye is reusable and has a clevis style head that will attach directly over the looped ends of the bridle slings or other pulling attachments. All materials are stainless steel. Only four body sizes are used to cover the range from 1/0 to 2000 MCM cable. Note that these pulling eyes should always be used with a Line Swivel (00505 series).



Part No.	Maximum Cable Size	Maximum Core Diameter	Power-Grip Components					Weight	Body	Threaded Cone Nut	Tapered Insert	Fits Bridle Sling
			A	B	C	D						
24100-001	1/0 AWG	0.39" 9.9 mm	1-1/4" 32 mm	13/32" 10.3 mm	3/8" 9.5 mm	3-5/8" 92 mm	0.68 lb 0.30 kg	24008-001	24006-001	24005-001	1/4"	
24100-002	2/0 AWG	0.44" 11.1 mm	1-1/4" 32 mm	13/32" 10.3 mm	3/8" 9.5 mm	3-5/8" 92 mm	0.67 lb 0.30 kg	24008-001	24006-002	24005-001		
24100-003	3/0 AWG	0.50" 12.7 mm	1-1/4" 32 mm	13/32" 10.3 mm	3/8" 9.5 mm	3-5/8" 92 mm	0.64 lb 0.29 kg	24008-001	24006-003	24005-001		
24100-004	4/0 AWG	0.54" 13.7 mm	1-1/4" 32 mm	13/32" 10.3 mm	3/8" 9.5 mm	3-5/8" 92 mm	0.61 lb 0.27 kg	24008-001	24006-004	24005-001		
24100-025	250 MCM	0.61" 15.5 mm	1-1/4" 32 mm	13/32" 10.3 mm	3/8" 9.5 mm	3-5/8" 92 mm	0.58 lb 0.26 kg	24008-001	24006-025	24005-001		
24100-030	300 MCM	0.62" 15.7 mm	1-1/4" 32 mm	13/32" 10.3 mm	3/8" 9.5 mm	3-5/8" 92 mm	0.57 lb 0.26 kg	24008-001	24006-030	24005-001		
24100-035C	350 MCM Compact	0.65" 16.5 mm	1-7/8" 48 mm	3/8" 9.5 mm	5/8" 15.9 mm	4-5/8" 117 mm	1.94 lb 0.88 kg	24008-035	24006-035C	24005-035	1/4" & 3/8"	
24100-035	350 MCM	0.71" 18.0 mm	1-7/8" 48 mm	3/8" 9.5 mm	5/8" 15.9 mm	4-5/8" 117 mm	1.90 lb 0.86 kg	24008-035	24006-035	24005-035		
24100-050	500 MCM	0.81" 20.6 mm	1-7/8" 48 mm	3/8" 9.5 mm	5/8" 15.9 mm	4-5/8" 117 mm	1.80 lb 0.81 kg	24008-035	24006-050	24005-035		
24100-060	600 MCM	0.91" 23.1 mm	1-7/8" 48 mm	3/8" 9.5 mm	5/8" 15.9 mm	4-5/8" 117 mm	1.80 lb 0.81 kg	24008-035	24006-060	24005-035		
24100-070	700 MCM	0.97" 24.6 mm	2-1/8" 54 mm	25/32" 19.8 mm	11/16" 17.5 mm	5-1/4" 133 mm	2.90 lb 1.3 kg	24008-070	24006-070	24005-070	3/8" & 1/2"	
24100-075C	750 MCM Compact	0.94" 23.8 mm	2-1/8" 54 mm	25/32" 19.8 mm	11/16" 17.5 mm	5-1/4" 133 mm	2.80 lb 1.2 kg	24008-070	24006-075C	24005-070		
24100-075	750 MCM	1.00" 25.4 mm	2-1/8" 54 mm	25/32" 19.8 mm	11/16" 17.5 mm	5-1/4" 133 mm	2.70 lb 1.2 kg	24008-070	24006-075	24005-070		
24100-100C	500 mm ² Custom	1.03" 26.2 mm	2-1/8" 54 mm	25/32" 19.8 mm	11/16" 17.5 mm	5-1/4" 133 mm	2.60 lb 1.18 kg	24008-070	24006-100C	24005-070		
24100-100	1000 MCM	1.15" 29.2 mm	2-1/8" 54 mm	25/32" 19.8 mm	11/16" 17.5 mm	5-1/4" 133 mm	2.50 lb 1.1 kg	24008-070	24006-100	24005-070		
*24100-125	1250 MCM	1.29" 32.8 mm	2-3/4" 70 mm	1" 25.4 mm	7/8" 22.2 mm	7-1/4" 184 mm	6.70 lb 3.0 kg	24008-125	24006-125	24005-125	3/8" & 1/2"	
*24100-150	1500 MCM	1.41" 35.8 mm	2-3/4" 70 mm	1" 25.4 mm	7/8" 22.2 mm	7-1/4" 184 mm	6.40 lb 2.9 kg	24008-125	24006-150	24005-125		
*24100-175	1750 MCM	1.53" 38.9 mm	2-3/4" 70 mm	1" 25.4 mm	7/8" 22.2 mm	7-1/4" 184 mm	6.20 lb 2.8 kg	24008-125	24006-175	24005-125		
*24100-200C	45 mm Custom	1.75" 44.5 mm	2-3/4" 70 mm	1" 25.4 mm	7/8" 22.2 mm	7-1/4" 184 mm	4.70 lb 2.14 kg	24008-125	24006-200C	24005-125		
*24100-200	2000 MCM	1.63" 41.4 mm	2-3/4" 70 mm	1" 25.4 mm	7/8" 22.2 mm	7-1/4" 184 mm	5.90 lb 2.6 kg	24008-125	24006-200	24005-125		

* Larger Power-Grips are machined from alloy steel and plated.

Custom Kits

Many contractors have requested custom kits that combine an arrangement of Power-Grips that can be used for pulling multiple sizes of cables. Threaded Cone Nuts and Tapered Inserts are common between some sizes, and the kits take advantage of this and provide usage for a range of cable sizes with the least number of components, making the kits economical as well.

The kits are available in the Power-Grip (Lug), Swivel-Grip, and Power-Grip (Clevis) styles, with or without Bridle Slings (23000 series). Shown is a special kit designed for a major mid-west contractor. Their requirement was to pull up to three cables of various different sizes.

DCD custom designs foam inserts to fit into a metal carrying box or even this large, durable plastic tow-around case. This keeps the products clean, organized and secure. It is also easy to see if any parts are missing.

Choose from the pre-arranged kits listed or contact Customer Service for options in creating a custom kit most suitable for your operation.



Kit Style 1 - Size Range: 1/0 AWG to 500 MCM

00925-KT1 Contents	24000-KT1 Contents	24100-KT1 Contents	Quantity	Description	Body Diameter	Maximum Core Diameter
00926-001	24007-001	24008-001	3	Swivel-Grip/Pulling Eye Body 1/0 AWG - 250 MCM	1-1/4"	-
00926-035	24007-035	24008-035	3	Swivel-Grip/Pulling Eye Body 350 - 500 MCM	1-7/8"	-
24006-001	24006-001	24006-001	3	Threaded Cone Nut 1/0 AWG	-	0.39"
24006-004	24006-004	24006-004	3	Threaded Cone Nut 4/0 AWG	-	0.54"
24006-025	24006-025	24006-025	3	Threaded Cone Nut 250 MCM	-	0.61"
24006-035	24006-035	24006-035	3	Threaded Cone Nut 350 MCM	-	0.71"
24006-050	24006-050	24006-050	3	Threaded Cone Nut 500 MCM	-	0.81"
24005-001	24005-001	24005-001	6	Tapered Insert 1/0 AWG - 250 MCM	-	-
24005-035	24005-035	24005-035	6	Tapered Insert 350 - 500 MCM	-	-
00101-250	00101-250	00101-250	1	Allen Key 1/4" Long Arm	-	-
00101-375	00101-375	00101-375	1	Allen Key 3/8" Long Arm	-	-
93106-015	93106-015	93106-015	1	Foam Insert Set	-	-
93100-009	93100-009	93100-009	1	Tool Box (7" L x 19" W x 7-1/2" H)	-	-

Kit Style 2 - Size Range: 350 MCM to 1000 MCM

00925-KT2 Contents	24000-KT2 Contents	24100-KT2 Contents	Quantity	Description	Body Diameter	Maximum Core Diameter
00926-035	00926-035	00926-035	3	Swivel-Grip/Pulling Eye Body 350 - 500 MCM	1-7/8"	-
24006-035	24006-035	24006-035	3	Threaded Cone Nut 350 MCM	-	0.71"
24006-050	24006-050	24006-050	3	Threaded Cone Nut 500 MCM	-	0.81"
24005-035	24005-035	24005-035	6	Tapered Insert 350 - 500 MCM	-	-
00926-070	00926-070	00926-070	3	Swivel-Grip/Pulling Eye Body 700 - 1000 MCM	2-1/8"	-
24006-070	24006-070	24006-070	3	Threaded Cone Nut 500 MCM	-	0.97"
24006-075	24006-075	24006-075	3	Threaded Cone Nut 750 MCM	-	1.00"
24006-100	24006-100	24006-100	3	Threaded Cone Nut 1000 MCM	-	1.15"
24005-070	24005-070	24005-070	6	Tapered Insert 700 - 1000 MCM	-	-
00101-250	00101-250	00101-250	1	Allen Key 1/4" Long Arm	-	-
00101-375S	00101-375S	00101-375S	1	Allen Key 3/8" Long Arm	-	-
93106-021	93106-021	93106-021	1	Foam Insert Set	-	-
93100-012	93100-012	93100-012	1	Tool Box (8" L x 24" W x 9" H)	-	-

Kit Style 3 - Size Range: 1/0 AWG to 1000 MCM

00925-KT3 Contents	24000-KT3 Contents	24100-KT3 Contents	Quantity	Description	Body Diameter	Maximum Core Diameter
00926-001	24007-001	24008-001	3	Swivel-Grip/Pulling Eye Body 1/0 AWG - 250 MCM	1-1/4"	-
24006-001	24006-001	24006-001	3	Threaded Cone Nut 1/0 AWG	-	0.39"
24006-002	24006-002	24006-002	3	Threaded Cone Nut 2/0 AWG	-	0.44"
24006-003	24006-003	24006-003	3	Threaded Cone Nut 3/0 AWG	-	0.50"
24006-004	24006-004	24006-004	3	Threaded Cone Nut 4/0 AWG	-	0.54"
24006-025	24006-025	24006-025	3	Threaded Cone Nut 250 MCM	-	0.61"
24005-001	24005-001	24005-001	15	Tapered Insert 1/0 AWG - 250 MCM	-	-
00926-035	24007-035	24008-035	3	Swivel-Grip/Pulling Eye Body 350 - 500 MCM	1-7/8"	-
24006-035	24006-035	24006-035	3	Threaded Cone Nut 350 MCM	-	0.71"
24006-050	24006-050	24006-050	3	Threaded Cone Nut 500 MCM	-	0.81"
24005-035	24005-035	24005-035	6	Tapered Insert 350 - 500 MCM	-	-
00926-070	24007-070	24008-070	3	Swivel-Grip/Pulling Eye Body 700 - 1000 MCM	2-1/8"	-
24006-070	24006-070	24006-070	3	Threaded Cone Nut 700 MCM	-	0.97"
24006-075	24006-075	24006-075	3	Threaded Cone Nut 750 MCM	-	1.00"
24006-100	24006-100	24006-100	3	Threaded Cone Nut 1000 MCM	-	1.15"
24005-070	24005-070	24005-070	9	Tapered Insert 700 - 1000 MCM	-	-
00101-250	00101-250	00101-250	1	Allen Key 1/4" Long Arm	-	-
00101-375	00101-375	00101-375	1	Allen Key 3/8" Long Arm	-	-
93106-019	93106-019	93106-019	1	Foam Insert Set	-	-
61722-002	61722-002	61722-002	1	Chest (19-1/2" L 25" W X 12" H)	-	-



24200 Series

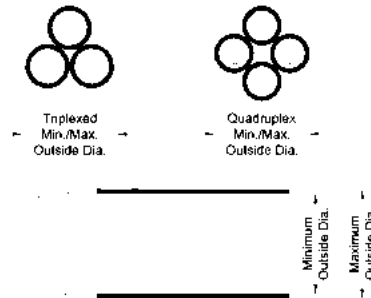
Multiplex Pushing Eye

This product is designed to be threaded onto the lead end of a group of either triplex or quadplex cables so that they can be pushed through short lengths of ducting. The basic pushing eye comes with only the body and a shoulder bolt. There are several different attachments which can be threaded onto the bolt and these must be purchased separately.

These include some of the accessories used with our duct rodders such as the pulling eye, the clevis end and the roller guide as well as a standard eye nut. Any of these can act as a leader for the pushing eye.

Each size of pushing eye can be used to attach to different groups of cable. Because the cables can be in different quantities and diameters, the range for each pushing eye is determined by the diameter around the group of cables. This information is available on the data supplied by the cable manufacturer or it can be measured using the diagram below as a guide.

The 24200-KT1 is a kit comprising one of each size of pushing eye plus one each of the leaders shown in the photograph.



Part No.	Minimum Outside Cable Diameter	Maximum Outside Cable Diameter	Weight
24200-KT1	1.00"	1.59"	2.20 lb
24200-010	1.00"	1.22"	0.63 lb
24200-020	1.22"	1.41"	0.67 lb
24200-030	1.41"	1.59"	0.73 lb

Part No.	Leader Attachments
57150-004	Roller Guide
57160-004	Clevis End
57120-004	Pulling Eye
90024-037	Eye Nut

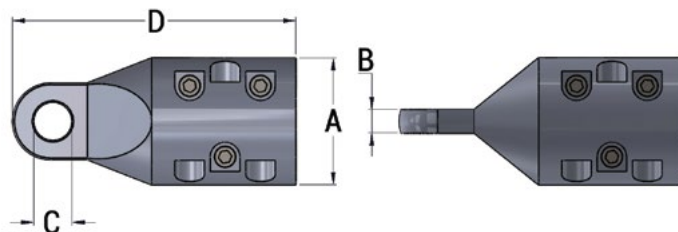
24300 Series

Multiplex Pulling Eye

This stainless steel product is designed to pull either triplex or quadplex cables. The four holes are sized for the cable conductors and each hole has three setscrews to clamp down on the cable. Each product is also supplied with three spare set screws and a hex key.

Care needs to be taken pulling around bends or sheaves because there will be extra heavy load on the cables on the outside of the bend and this may cause them to pull loose from their clamped position in the pulling eye.

Use mainly for short, straight pulls.



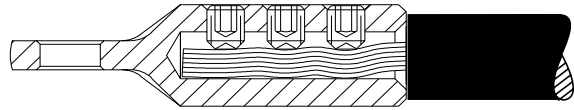
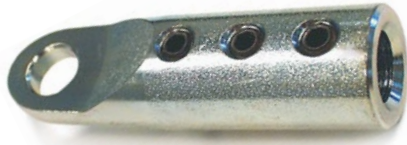
Part No.	Maximum Cable Size	Maximum Core Size	A	B	C	D	Weight	Use with Line Swivel
24300-001	1/0 AWG	0.437"	1-3/4"	3/8"	5/8"	4-15/16"	1.4 lb	00505-015 to 00505-030
24300-004	4/0 AWG	0.593"	2-1/4"	3/8"	5/8"	4-15/16"	2.5 lb	
24300-350	350 MCM	0.750"	2-11/16"	1/2"	13/16"	6"	4.1 lb	00505-020 to 00505-035
24300-500	500 MCM	0.875"	2-7/8"	1/2"	13/16"	6-1/8"	4.5 lb	

24500 Series

Mini-Grip™

The Mini-Grip™ pulling eye is reusable and has a lug style head that will attach directly into a line swivel or other type of connector. This pulling eye is zinc plated for corrosion and has three set screws that clamp directly onto the cable conductor. It is suitable for smaller cables with conductors having seven strands or less.

Note: These pulling eyes should always be used with a Line Swivel (00505 series).



Part No.	Maximum Cable Size	Maximum Core Diameter	Body Diameter	Weight
24500-343	4 to 3 AWG	0.33"	3/4"	0.30 lb
24500-406	2 to 1/0 AWG	0.39"	7/8"	0.37 lb
24500-562	2/0 to 4/0 AWG	0.55"	1"	0.44 lb

25000 Series

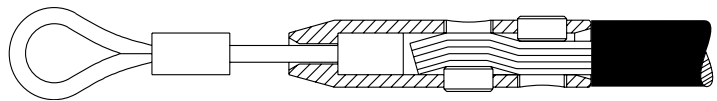
Pulling Harness

The purpose of this product is to allow single or multiple pulls at one time by attaching one or two cables to the one pulling harness. The harness legs are manufactured from aircraft quality galvanized wire rope while the connector end is manufactured from stainless steel.

The two leg units are staggered in length so the individual connections are not interfering with each other. The safety factor is based on equal pull on both legs.

The double leg harness is available in long or short configurations and each is supplied with one hex key and four set screws. The single harness is supplied with one hex key and two set screws. Both the hex key and the set screws are available separately.

Cable sizes that can be pulled with these harnesses are 2/0 to 4/0 AWG.



Part No.	Description	Wire Diameter	Number of Legs	3:1 Safe Working Load Leg Capacity	3:1 Safe Working Load Total Capacity	Weight
25000-010	Single Leg	1/4"	1	2,300 lb	2,300 lb	1.00 lb
25000-020	Double Leg - Short	1/4"	2	2,300 lb	4,600 lb	1.70 lb
25000-021	Double Leg - Long	1/4"	2	2,300 lb	4,600 lb	2.00 lb
90000-166	Set Screw	-	-	-	-	0.10 lb
00101-375	Hex Key	-	-	-	-	0.28 lb