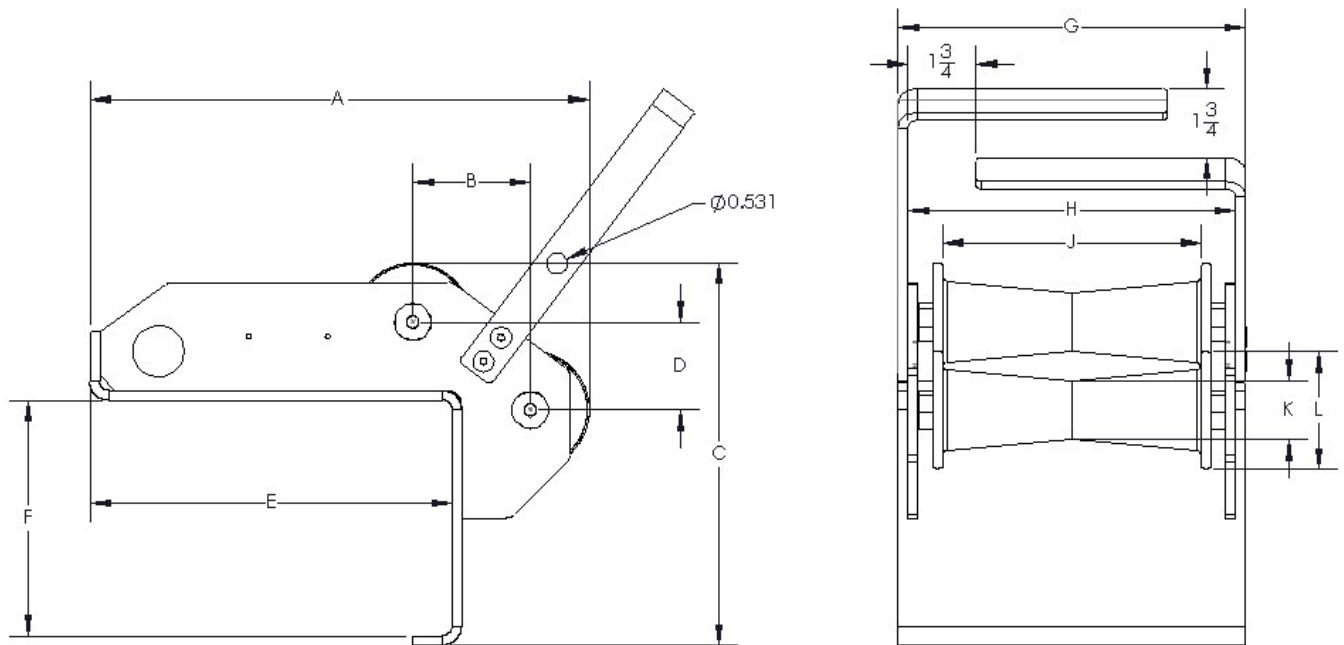


OPERATING SPECIFICATIONS

DCD Design & Manufacturing Ltd.

SERIES 32400 WIRE ROPE GUIDE

1. The wire rope guide is intended for guiding wire rope around the corner of a manhole.



Part Number	Safe Working Limit	Ultimate Load	A	B	C	D	E	F	G	H	J	K	L	Net Weight
32400-200	10,000 lb 45 kN	30,000 lb 135 kN	12-3/4" 320 mm	3" 75 mm	9-23/32" 247 mm	2-1/4" 60mm	9-1/4" 235 mm	6" 150 mm	8-7/8" 225 mm	8-3/8" 210 mm	6-5/8" 170 mm	1-1/2" 40 mm	3" 75 mm	28 lb 13 kg

Dimensions and weights subject to change without notice.

The **Safe Working Limit** is the maximum line pull and is calculated using a 3:1 safety factor based on the ultimate load.

OPERATING INSTRUCTIONS



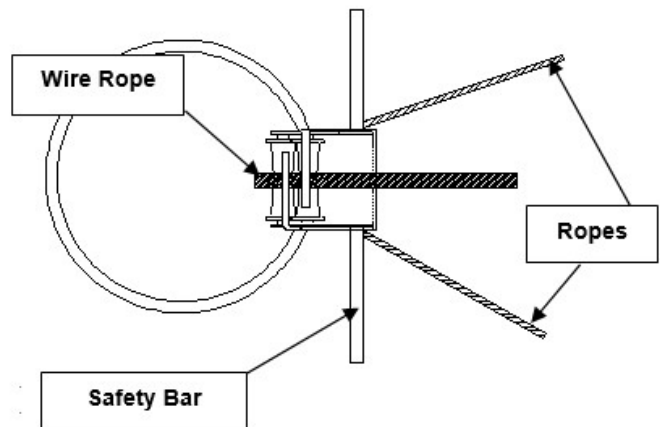
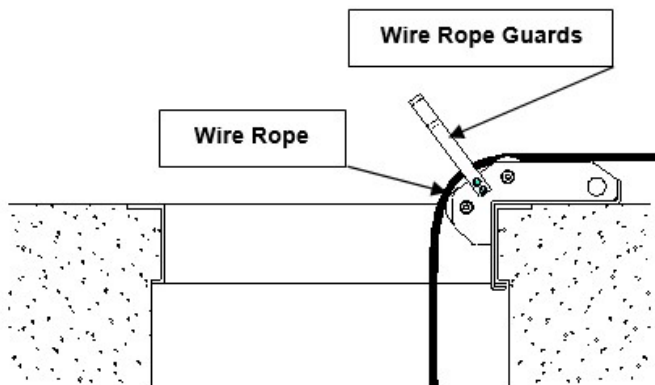
Design &
Manufacturing Ltd.

SERIES 32400 WIRE ROPE GUIDE



INSTALLATION

1. Install wire rope guards using screws provided.
2. Install wire rope guide on edge of manhole.
3. Use the 0.531" hole for tying off the unit to hold into place.
4. Feed new wire under guards or feed existing wire thru guards.
5. Secure wire rope guide in place using ropes or safety bar.



1. The wire rope guide is designed to operate only within its specified **safe working limit** (see *Operating Specifications*). Operation of the wire rope guide at loads in excess of **safe working limit** will void the warranty.
2. For underground use, the recommended safe working limit is 3:1 based on its ultimate load.
3. Never use a worn, defective or incomplete component. Ensure that all components of the pulling system are able to withstand the maximum pulling loads. Components not rated for the pull force may break and release the stored energy of the pull.
4. Do not modify the wire rope guide. It has been assembled, inspected, and is only covered by a warranty in its "as shipped" form. Any attempt to modify the wire rope guide will void the warranty and may result in property damage, severe bodily harm, or death. Always use wire rope guards.
5. Be prepared for the unexpected. Use recognized safety practices and wear recognized safety equipment.

SERVICE



Replacement parts are available for this product.